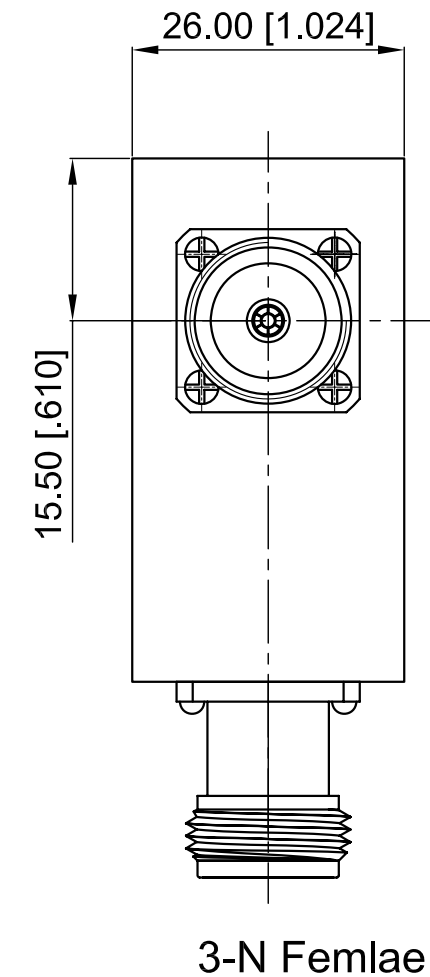
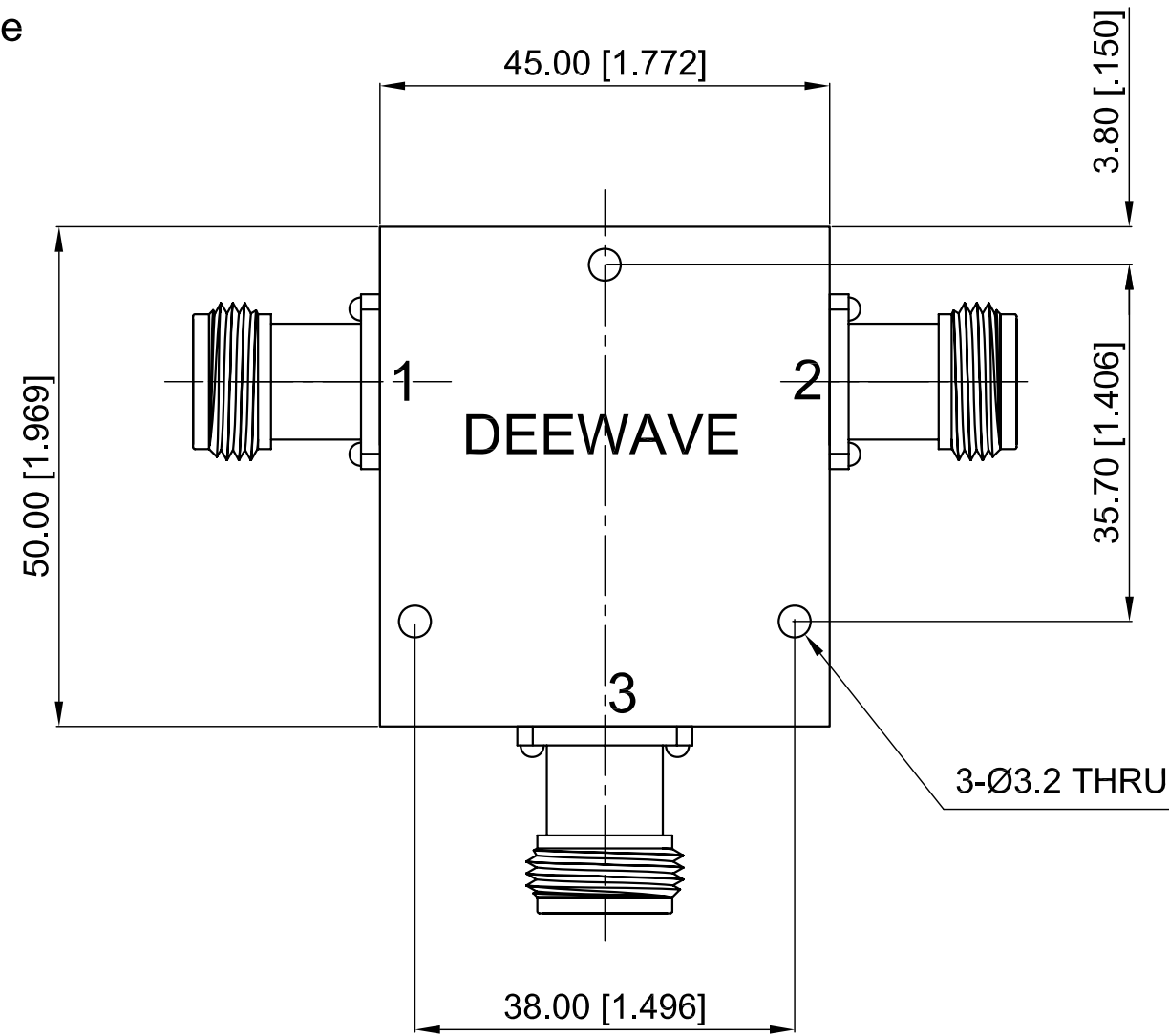


**ELECTRICAL SPECIFICATIONS**

Frequency Range: 1.2-1.4 GHz  
 Insertion Loss: 0.50 dB max.  
 Isolation: 20 dB min.  
 VSWR: 1.25 max.  
 Forward Power: 200 W  
 Direction: Clockwise

Revisions			
Rev	Description	Date	Approved:
A	Initial Release	2015.3.5	A. M



3-N Female

- NOTES:
1. ALL SPECIFICATIONS ARE SUBJECT TO CHANGE WITHOUT NOTICE AT ANY TIME
  2. CUSTOMER OUTLINE DRAWING FOR REFERENCE ONLY

Drawn:	W. Y 2015.3.5
Checked:	T. L 2015.3.5
Approved:	A. M 2015.3.5
Unless Otherwise Specified Dimensions are in Millimeters, Dimensions in [ ] are in Inches for Customer Reference Only.	
Unless Otherwise Specified Tolerance are:	
.XX ±0.13 [0.005"]	.X ±0.20 [0.008"] X ±0.50 [0.019"]
.X° ±1°	X° ±2°

Title:	N Circulator Freq 1.2-1.4 GHz
Part No:	DCC120140

**DEEWAVE**  
[www.deewave.com](http://www.deewave.com)

View:

Size:	Scale:	Sheet:	Rev:
A3	1:1	1/1	A