

ELECTRICAL SPECIFICATIONS

Frequency Range: 13.75-14.5 GHz

Impedance: 50 Ohm

Insertion Loss: 0.5 dB max.

Isolation: 20 dB min.

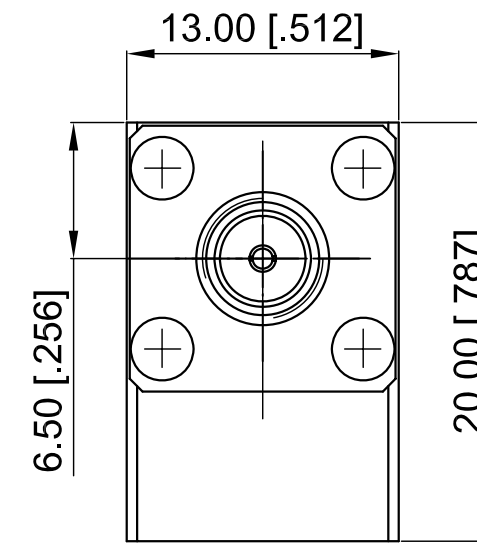
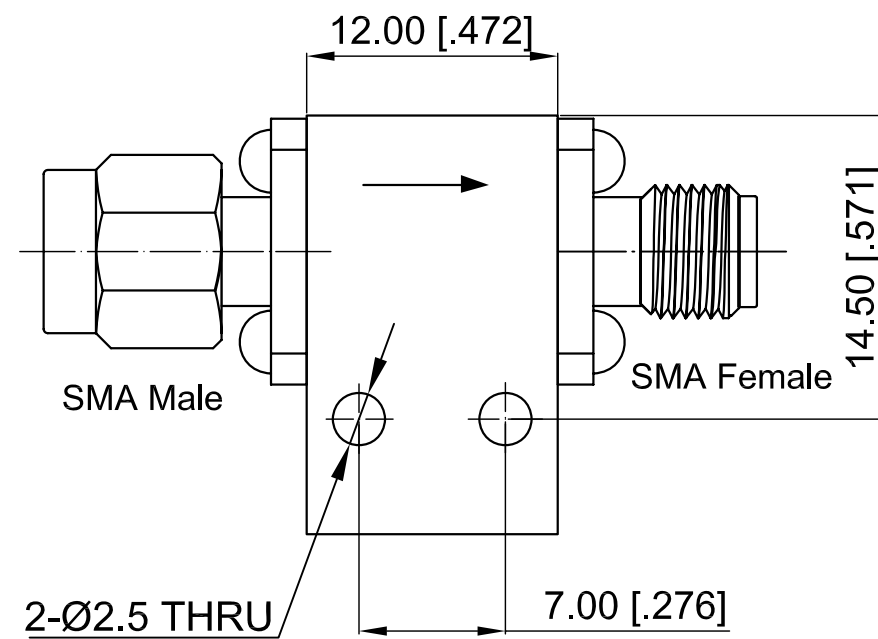
VSWR: 1.25 max.

Forward Power: 1 W

Reserve Power: 1 W

Operation Temp.: -40°~+70°

Revisions			
Rev	Description	Date	Approved:
A	Initial Release	2015.07.01	A. M



NOTES:

1. ALL SPECIFICATIONS ARE SUBJECT TO CHANGE WITHOUT NOTICE AT ANY TIME
2. CUSTOMER OUTLINE DRAWING FOR REFERENCE ONLY

Drawn:	W. Y 2015.07.01
Checked:	T. L 2015.07.01
Approved:	A. M 2015.07.01
Unless Otherwise Specified Dimensions are in Millimeters, Dimensions in [] are in Inches for Customer Reference Only. Unless Otherwise Specified Tolerance are: .XX ±0.13 [.005"] .X ±0.20 [.008"] X ±0.50 [.019"] .X° ±1° X° ±2°	

Title:	SMA Isolator Freq 13.75-14.50 GHz
Part No:	DCI13751450MF

DEEWAVE
www.deewave.com

View:

Size:	Scale:	Sheet:	Rev:
A3	4:1	1/1	A