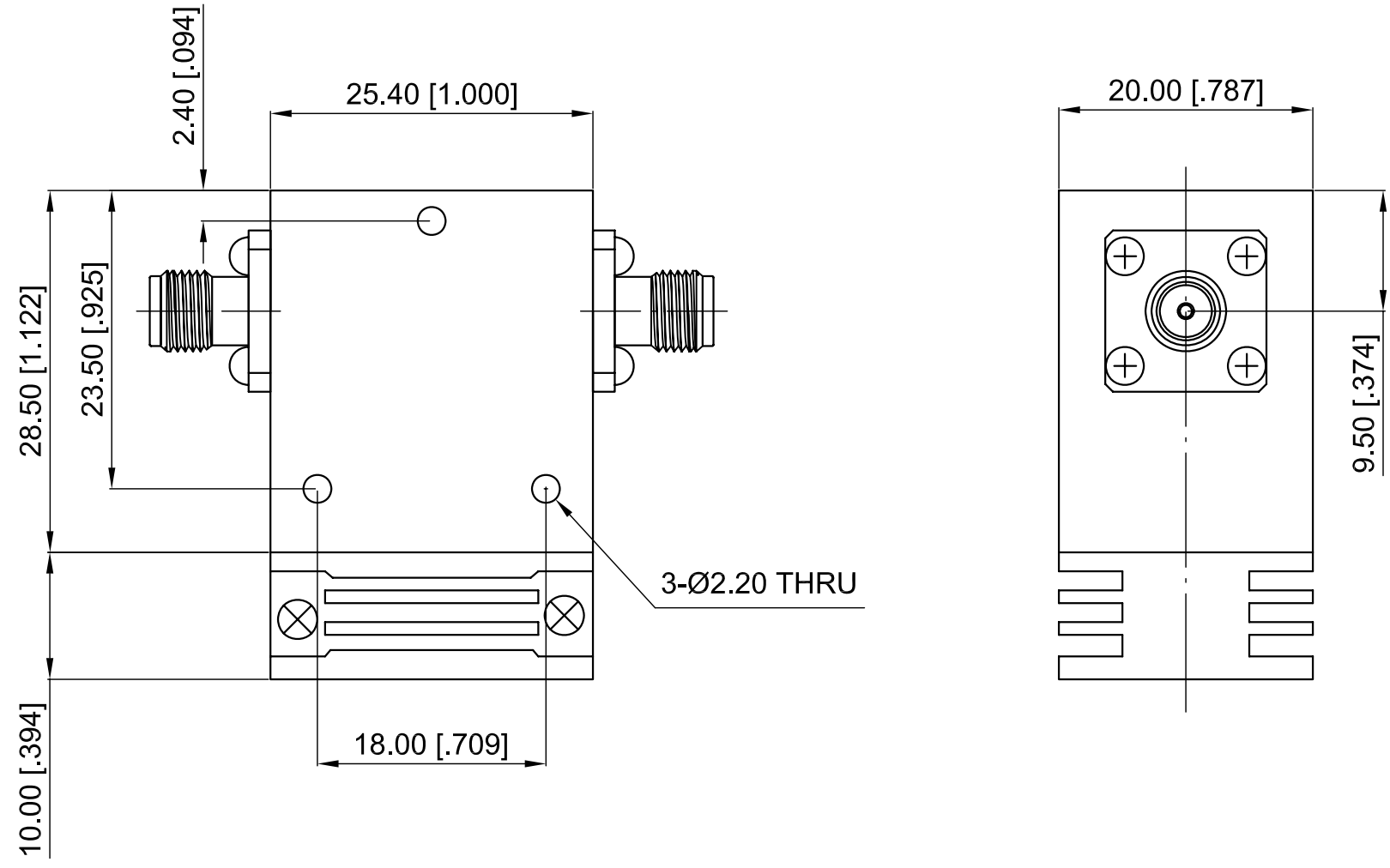


ELECTRICAL SPECIFICATIONS

Frequency Range: 2.3-2.4 GHz
 Impedance: 50 Ohm
 Insertion Loss: 0.30 dB max.
 Isolation: 23 dB min.
 VSWR: 1.20 max.
 Forward Power: 150W
 Reverse Power: 100W
 Direction: Clockwise

| Revisions | | | |
|-----------|-----------------|-----------|-----------|
| Rev | Description | Date | Approved: |
| A | Initial Release | 2015.6.10 | A. M |



NOTES:
 1. ALL SPECIFICATIONS ARE SUBJECT TO CHANGE WITHOUT NOTICE AT ANY TIME
 2. CUSTOMER OUTLINE DRAWING FOR REFERENCE ONLY

| | |
|--|----------------|
| Drawn: | W. Y 2015.6.10 |
| Checked: | T. L 2015.6.10 |
| Approved: | A. M 2015.6.10 |
| Unless Otherwise Specified Dimensions are in Millimeters, Dimensions in [] are in Inches for Customer Reference Only. Unless Otherwise Specified Tolerance are: .XX ±0.13 [.005"] .X ±0.20 [.008"] X ±0.50 [.019"] .X° ±1° X° ±2° | |

| | |
|----------|----------------------------------|
| Title: | SMA Isolator Freq 2.3-2.4 GHz |
| Part No: | DCI230240-3 |

DEEWAVE
www.deewave.com

View:

| | | | |
|-------|--------|--------|------|
| Size: | Scale: | Sheet: | Rev: |
| A3 | 2:1 | 1/1 | A |