

6

5

4

3

2

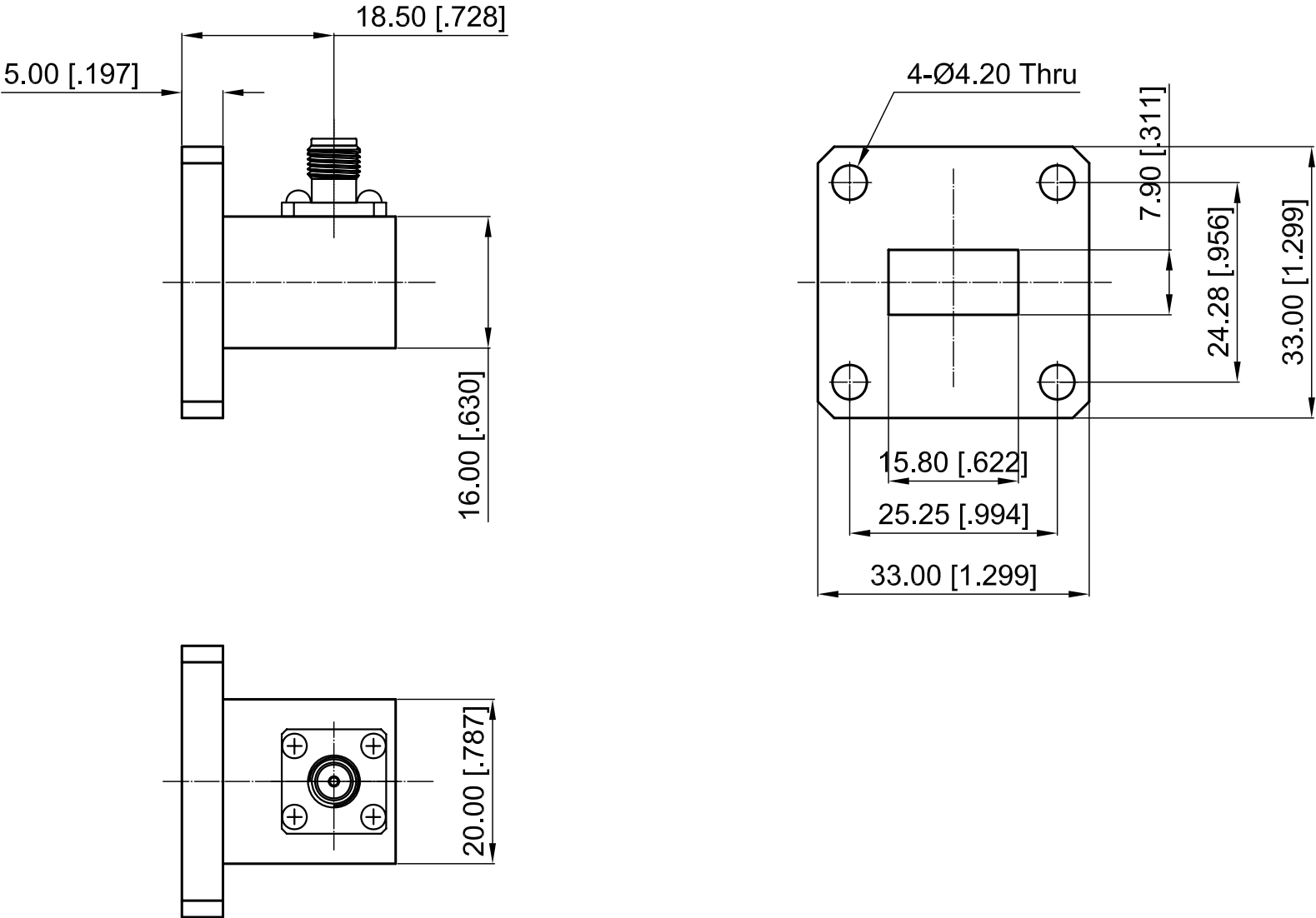
1

Revisions			
Rev	Description	Date	Approved:
A	Initial Release	2015.4.14	A. M

### ELECTRICAL SPECIFICATIONS

Frequency Range: 12.4-18 GHz

VSWR: 1.25 max.



A

#### NOTES:

- 1. ALL SPECIFICATIONS ARE SUBJECT TO CHANGE WITHOUT NOTICE AT ANY TIME
- 2. CUSTOMER OUTLINE DRAWING FOR REFERENCE ONLY

Drawn:	W. Y 2015.4.14
Checked:	T. L 2015.4.14
Approved:	A. M 2015.4.14
Unless Otherwise Specified Dimensions are in Millimeters, Dimensions in [ ] are in Inches for Customer Reference Only. Unless Otherwise Specified Tolerance are: .XX ±0.13 [.005"] .X ±0.20 [.008"] X ±0.50 [.019"] .X° ±1° X° ±2°	

Title:	WR62 to SMA Female Adaptor, Direct 90°
Part No:	DWCA62SFL



View:	
Size:	A3
Scale:	1.5:1
Sheet:	1/1
Rev:	A

6

5

4

3

2

1