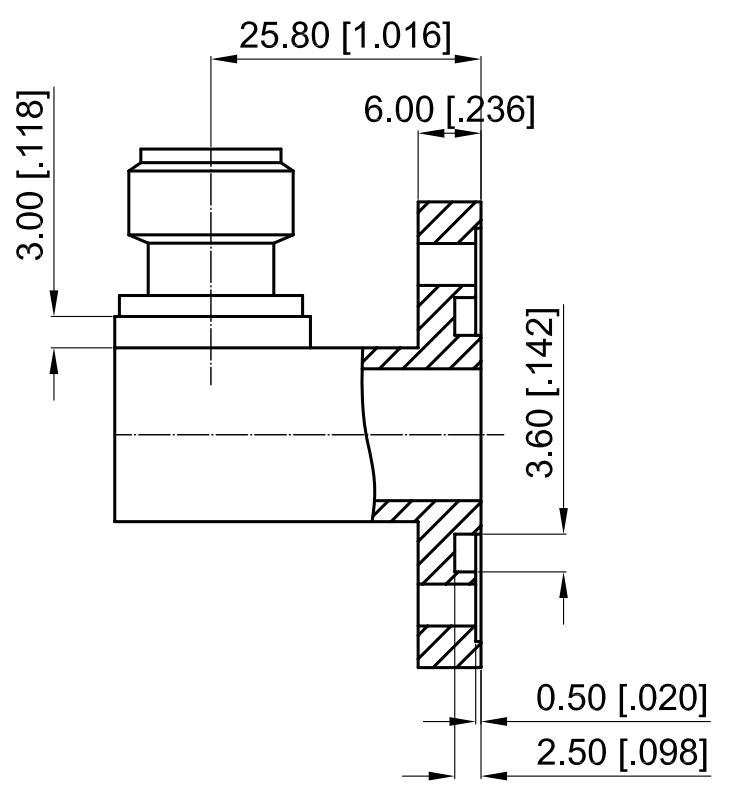
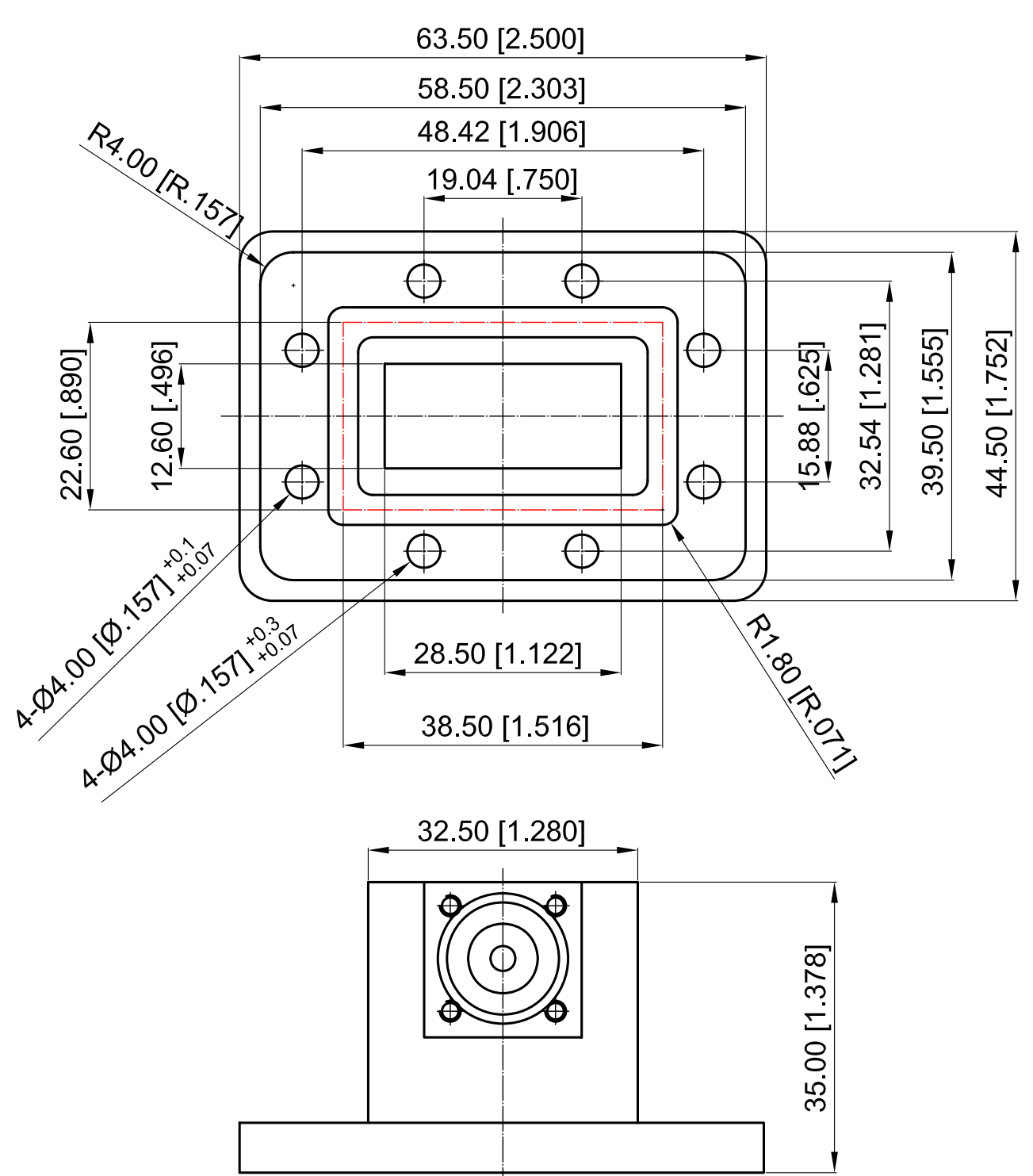


Revisions			
Rev	Description	Date	Approved:
A	Initial Release	2014.8.28	A. M



ELECTRICAL PERFORMANCE
 VSWR: 1.10 Max. @ Freq at 7GHz

MATERIAL
 Waveguide Body: Alminum
 N Connector Body: Brass Plated Nickel

NOTES:
 1. ALL SPECIFICATIONS ARE SUBJECT TO CHANGE WITHOUT NOTICE AT ANY TIME
 2. CUSTOMER OUTLINE DRAWING FOR REFERENCE ONLY

Drawn:	W. Y 2014.8.28
Checked:	T. L 2014.8.28
Approved:	A. M 2014.8.28
Unless Otherwise Specified Dimensions are in Millimeters, Dimensions in [] are in Inches for Customer Reference Only. Unless Otherwise Specified Tolerance are: .XX ±0.13 [.005"] .X ±0.20 [.008"] X ±0.50 [.019"] .X° ±1° X° ±2°	

Title:	PDR84 (WR112) to N Female Adaptor
Part No:	DWCAR112NFL

DEEWAVE
www.deewave.com

View:

Size:	Scale:	Sheet:	Rev:
A3	1:1	1/1	A