

Deewave Electronics offers a line of Waveguide Circulators in various package sizes and frequency bands, specifically designed for cellular and wireless markets. Reliability, cost and manufacturability are optimized at the design stage. Waveguide Circulators are manufactured with high quality materials to ensure optimum performance over the temperature range.

Waveguide Circulators with phase matching, counter clockwise rotation, higher reverse power capability along with required intermodulation specifications can be provided upon request. Deewave Electronics provide waveguide circulators with commercial series, high specs series, high power series and etc.



And also, Deewave Electronics has the ability to provide a wide range of solutions to meet most applications.

## Commercial Series

Part Number	Frequency Range (GHz)	Insertion Loss (dB Max)	Isolation (dB Min)	VSWR (Max)	Operating Temp. (°C)	Spec. over the full temp. rang			Waveguide type	Package Code
						Insertion Loss (dB Max)	Isolation (dB Min)	VSWR (Max)		
DWC770840	7.7-8.4	0.40	23	1.15	-40~+85	0.40	20	1.22	WR112	F01
DWC860960	8.6-9.6	0.30	23	1.15	-40~+85	0.30	20	1.22	WR90	F02
DWC10701270	10.7-12.7	0.40	20	1.25	-40~+85	0.40	18	1.30	WR75	F03
DWC16001700	16-17	0.30	23	1.15	-40~+85	0.40	20	1.20	WR62	F04
DWC17001800	17-18	0.30	23	1.15	-40~+85	0.30	20	1.20	WR51	F05
DWC24502650	24.5-26.5	0.40	20	1.25	-40~+85	0.40	18	1.30	WR42	F06
DWC27002950	27-29.5	0.40	20	1.25	-40~+85	0.40	20	1.25	WR28	F11
DWC31803340	31.8-33.4	0.40	20	1.25	-40~+85	0.40	20	1.25	WR28	F11
DWC35003600	35-36	0.30	23	1.20	-40~+85	0.30	23	1.20	WR28	F07
DWC37004000	37-40	0.40	18	1.30	-40~+85	0.40	18	1.30	WR28	F11
DWC45004600	45-46	0.50	23	1.20	-40~+85	0.60	20	1.25	WR22	F08
DWC55005600	55-56	0.50	23	1.20	-40~+85	0.60	20	1.25	WR18	F09
DWC92009300	92-93	0.60	23	1.20	-40~+85	0.80	20	1.25	WR10	F10

## High Specs Series

Part Number	Frequency Range (GHz)	Insertion Loss (dB Max)	Isolation (dB Min)	VSWR (Max)	Operating Temperature (°C)	Waveguide type	Package Code
DWC10001030S	10-10.3	0.25	28	1.15	-40~+85	WR90	F12
DWC12001230S	12-12.3	0.25	28	1.15	-40~+85	WR75	F13
DWC33003350S	33-33.5	0.30	28	1.15	-40~+85	WR28	F14

Note: All the specs above are at room temperature.

## High Power Series

Part Number	Frequency Range (GHz)	Insertion Loss (dB Max)	Isolation (dB Min)	VSWR (Max)	Operating Temperature (°C)	Forward Power (W)	Waveguide type	Package Code
DWC580640P	5.8-6.4	0.30	20	1.20	-40~+85	200	WR137	F15
DWC780840P	7.8-8.4	0.40	23	1.25	-40~+85	350	WR112	F16

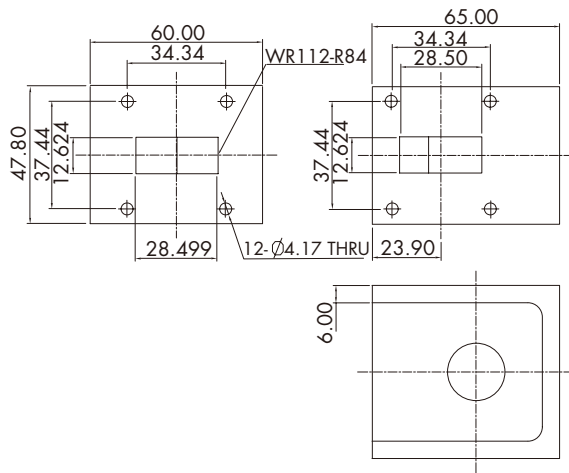
## Select-A-Frequency (Customerized)

Part Number	Frequency Range (GHz)	Band Width (MHz)	Insertion Loss (dB Max)	Isolation (dB Min)	VSWR (Max)	Operating Temp (°C)	Spec. over the full temp. rang			Size L*W*H (mm)	Waveguide Type
							Insertion Loss (dB Max)	Isolation (dB Min)	VSWR (Max)		
DWC657999C	6.57-9.99	500	0.30	23	1.15	-40~+80	0.30	20	1.20	60*65*47.8	WR112
		1000	0.30	20	1.25	-40~+80	0.30	20	1.25		
DWC8201250C	8.2-12.5	1000	0.30	23	1.15	-40~+80	0.30	20	1.20	48*53*42	WR90
		2000	0.40	20	1.25	-40~+80	0.40	18	1.30		
DWC 9841500C	9.84-15.0	1000	0.30	25	1.15	-40~+80	0.30	20	1.20	42*48*38	WR75
		2000	0.40	20	1.25	-40~+80	0.40	18	1.30		
DWC11901800C	11.9-18.0	1000	0.30	23	1.15	-40~+80	0.30	20	1.20	40*40*33.3	WR62
		2000	0.40	20	1.25	-40~+80	0.40	18	1.25		
DWC14502200C	14.5-22.0	1000	0.30	23	1.15	-40~+80	0.30	20	1.20	32*35*30.2	WR51
		2000	0.40	20	1.25	-40~+80	0.40	18	1.30		
DWC17602670C	17.6-26.7	1000	0.30	23	1.15	-40~+80	0.30	20	1.20	24*27*22.4	WR42
		2000	0.40	20	1.25	-40~+80	0.40	18	1.30		
DWC21703300C	21.7-33.0	1000	0.30	23	1.15	-40~+80	0.30	20	1.20	22.3*27*21.2	WR34
		2000	0.40	20	1.25	-40~+80	0.40	18	1.30		
DWC26304000C	26.3-40.0	500	0.30	23	1.20	-40~+80	0.30	23	1.20	21*24*19.1	WR28
		1000	0.30	23	1.20	-40~+80	0.40	18	1.30		
		500	0.30	25	1.15	-40~+80	0.30	23	1.20	10*24.5*19.1	WR28
		1000	0.30	20	1.25	-40~+80	0.30	20	1.25		
		500	0.30	25	1.15	-40~+80	0.30	23	1.20	10*24.5*32	WR28
		1000	0.30	20	1.25	-40~+80	0.30	20	1.25		
DWC32905010C	32.9-50.1	1000	0.50	23	1.20	-40~+80	0.60	20	1.22	19.1*20*19.1	WR22
		2000	0.60	20	1.25	-40~+80	0.60	18	1.30		
DWC33753475C	33.75-34.75	full	0.60	50	1.20	-40~+80	0.60	40	1.20	30*62*20	WR28
DWC39205960C	39.2-59.6	1000	0.50	23	1.20	-40~+80	0.60	20	1.22	10*25.4*19.1	WR18
		2000	0.60	20	1.25	-40~+80	0.60	18	1.30		
		1000	0.50	23	1.20	-40~+80	0.60	20	1.22	19*19*19.1	WR18
		2000	0.60	20	1.25	-40~+80	0.60	18	1.30		
DWC87009600C	87-96	1000	0.60	23	1.20	-40~+80	0.80	20	1.25	10*25*19.1	WR10
		2000	0.80	18	1.30	-40~+80	1.00	17	1.30		

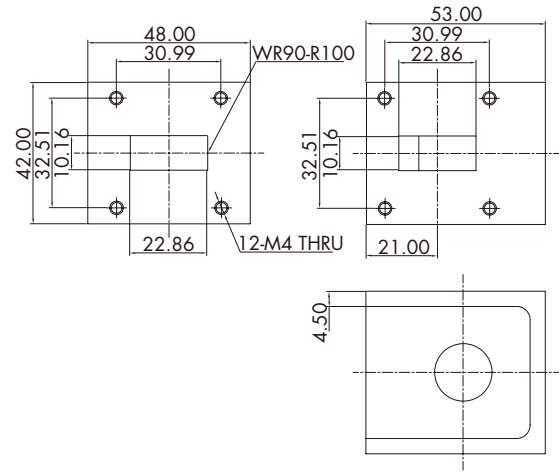
Note: All the specs above are at room temperature.

## Package Drawing

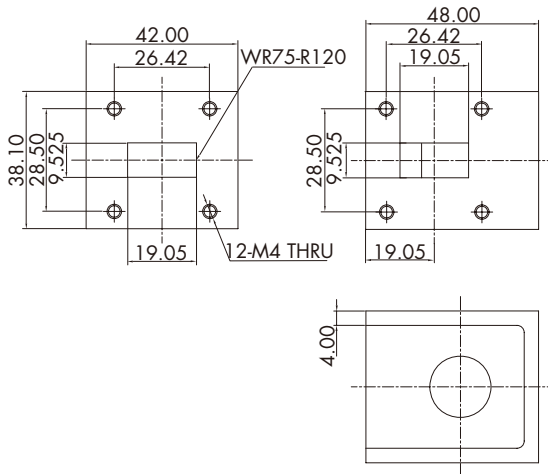
F01



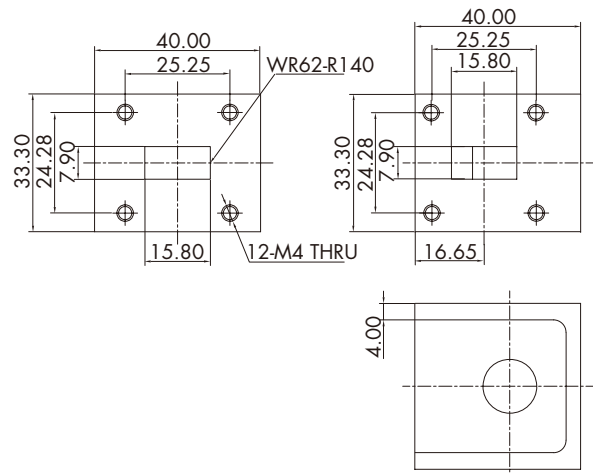
F02



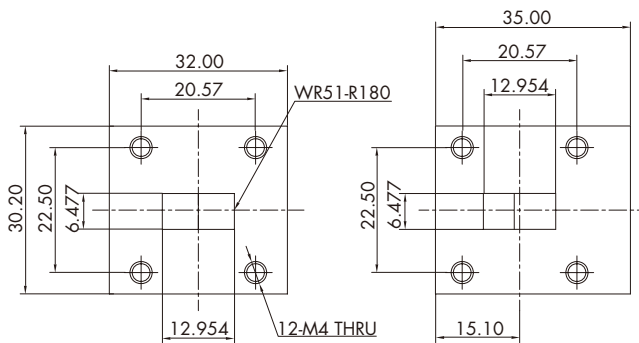
F03



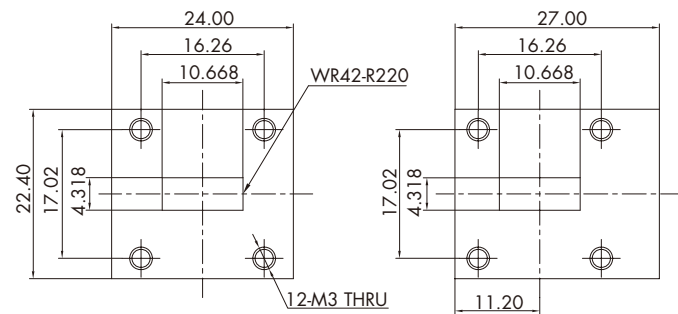
F04



F05



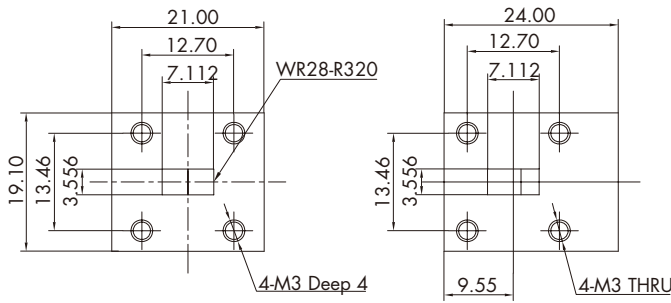
F06



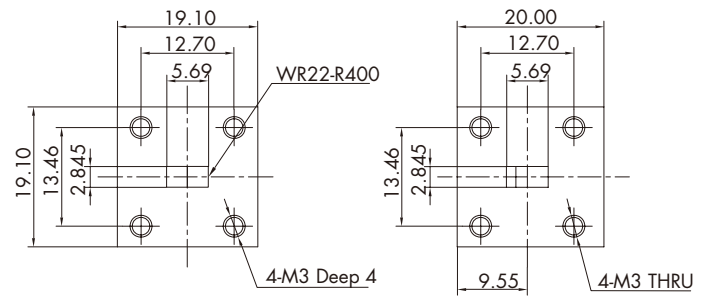
Note: All dimensions are in mm.

## Package Drawing

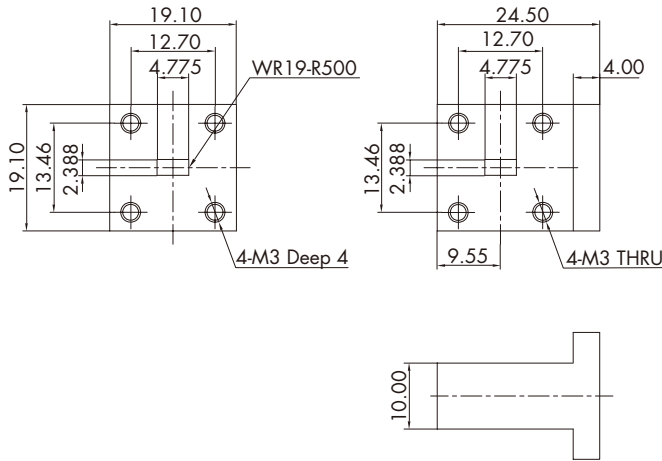
### F07



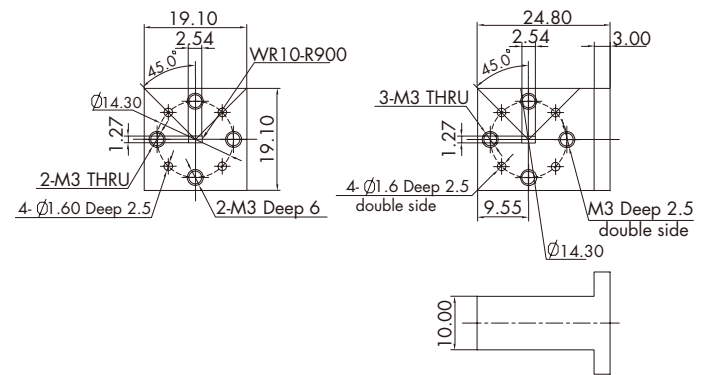
### F08



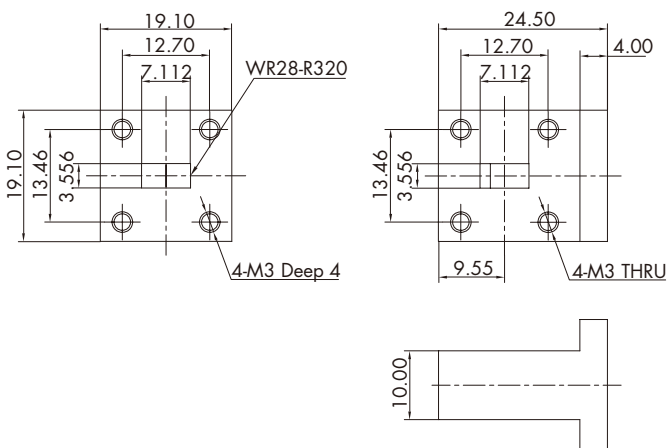
### F09



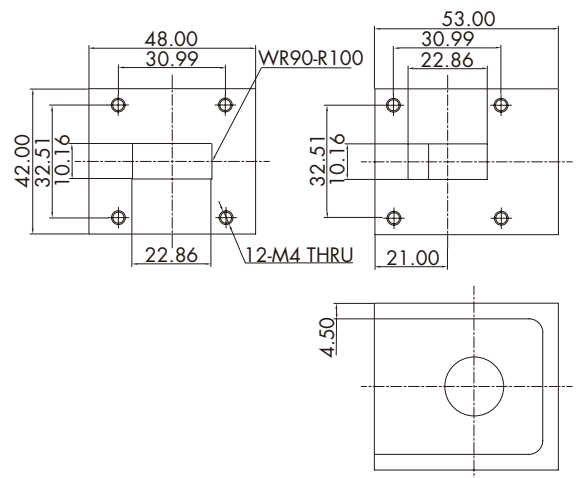
### F10



### F11



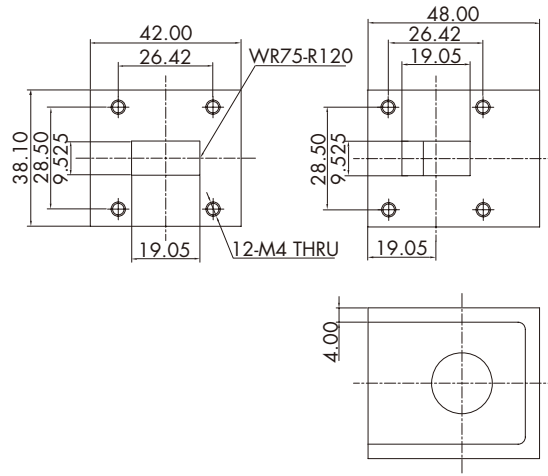
### F12



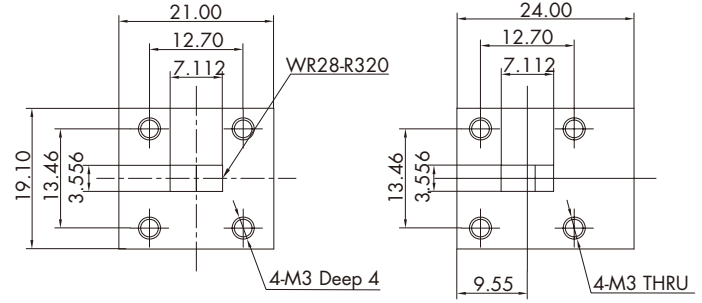
Note: All dimensions are in mm.

## Package Drawing

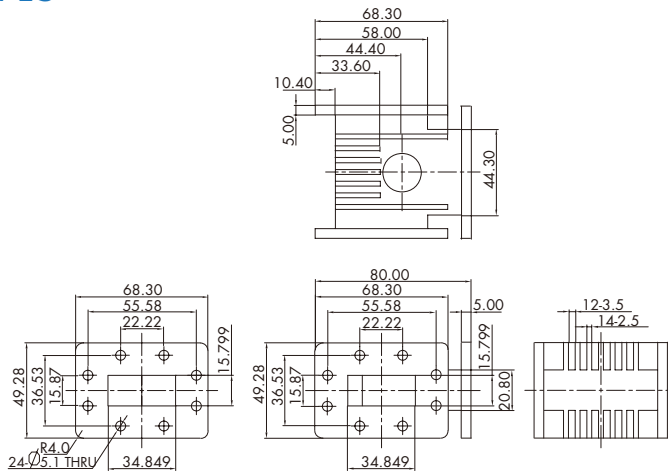
F13



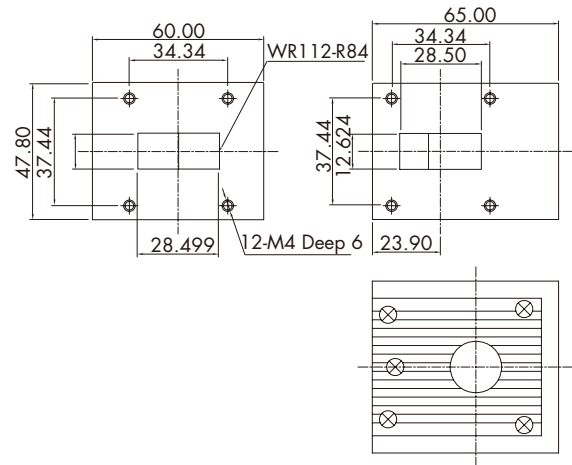
F14



F15



F16



Note: All dimensions are in mm.