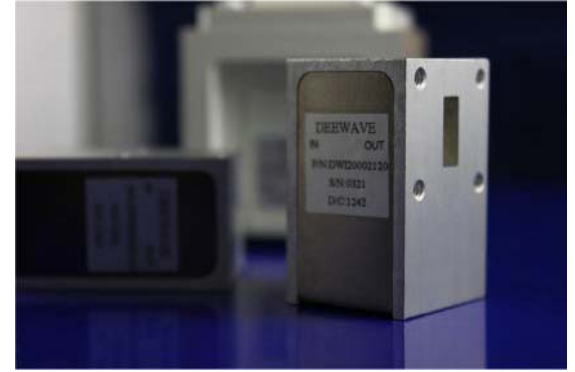


Deewave Electronics offers a line of Waveguide Isolator in various package sizes and frequency bands, specifically designed for cellular and wireless markets. Reliability, cost and manufacturability are optimized at the design stage. Waveguide Isolator are manufactured with high quality materials to ensure optimum performance over the temperature range.

Waveguide Isolator with phase matching, counter clockwise rotation, higher reverse power capability along with required intermodulation specifications can be provided upon request. Deewave Electronics provide waveguide isolators with commercial series, high specs series, and etc.

And also, Deewave Electronics has the ability to provide a wide range of solutions to meet most applications.



Commercial Series

Part Number	Frequency Range (GHz)	Insertion Loss (dB Max)	Isolation (dB Min)	VSWR (Max)	Operating Temp. (°C)	Spec. over the full temp. rang			Waveguide type	Package Code
						Insertion Loss (dB Max)	Isolation (dB Min)	VSWR (Max)		
DWI860960	8.6-9.6	0.30	23	1.20	-40~+85	0.40	20	1.20	WR90	E01
DWI10101070	10.1-10.7	0.30	20	1.20	-40~+85	0.35	18	1.30	WR75	E11
DWI10701120	10.7-11.2	0.30	20	1.20	-40~+85	0.35	18	1.30	WR75	E11
DWI10701270	10.7-12.7	0.40	20	1.20	-40~+85	0.40	18	1.25	WR75	E02
DWI11201170	11.2-11.7	0.30	20	1.20	-40~+85	0.35	18	1.30	WR75	E11
DWI12701330	12.7-13.3	0.30	20	1.20	-40~+85	0.35	18	1.30	WR75	E11
DWI14301545	14.3-15.45	0.40	20	1.20	-40~+85	0.40	20	1.22	WR62	E03
DWI16001700	16-17	0.40	23	1.20	-40~+85	0.40	20	1.22	WR62	E03
DWI17001800	17-18	0.30	23	1.20	-40~+85	0.30	20	1.20	WR51	E04
DWI17701970	17.7-19.7	0.40	20	1.20	-40~+85	0.40	20	1.22	WR42	E12
DWI21202360	21.2-23.6	0.40	20	1.20	-40~+85	0.40	20	1.22	WR42	E12
DWI24502650	24.5-26.5	0.40	20	1.20	-40~+85	0.40	20	1.22	WR42	E05
DWI24502676	24.5-26.765	0.40	20	1.20	-40~+85	0.40	20	1.22	WR42	E12
DWI27002950	27-29.5	0.40	20	1.22	-40~+85	0.50	17	1.22	WR28	E13
DWI27502950	27.5-29.5	0.40	20	1.20	-40~+85	0.40	20	1.22	WR34	E06
DWI31803340	31.8-33.4	0.40	20	1.22	-40~+85	0.50	17	1.22	WR28	E13
DWI35003600	35-36	0.30	25	1.20	-40~+85	0.40	20	1.25	WR28	E07
DWI37004000	37-40	0.40	20	1.22	-40~+85	0.50	17	1.22	WR28	E13
DWI45004600	45-46	0.50	25	1.20	-40~+85	0.60	20	1.25	WR22	E08
DWI55005600	55-56	0.50	25	1.20	-40~+85	0.60	20	1.25	WR18	E09
DWI92009300	92-93	0.60	25	1.25	-40~+85	0.80	20	1.30	WR10	E10

High Specs Series

Part Number	Frequency Range (GHz)	Insertion Loss (dB Max)	Isolation (dB Min)	VSWR (Max)	Operating Temperature (°C)	Waveguide type	Package Code
DWI10001030S	10-10.3	0.25	28	1.15	-40~+85	WR90	E14
DWI12001250S	12-12.5	0.25	25	1.15	-40~+85	WR75	E15
DWI21002150S	21-21.5	0.30	28	1.15	-40~+85	WR42	E16
DWI33003350S	33-33.5	0.30	28	1.15	-40~+85	WR28	E17

Note: All the specs above are at room temperature.

High Power Series

Part Number	Frequency Range (GHz)	Insertion Loss (dB Max)	Isolation (dB Min)	VSWR (Max)	Operating Temperature (°C)	Forward Power (W)	Waveguide type	Package Code
DWI19602120P	19.6-21.2	0.30	20	1.20	-10~+90	100	WR51	E18
DWI25503650P	35.5-36.5	0.30	23	1.20	-40~+85	80	WR28	E19

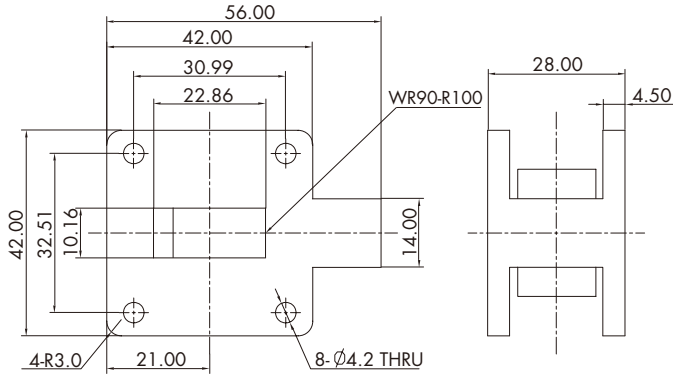
Select-A-Frequency (Customerized)

Part Number	Frequency Range (GHz)	Band Width (MHz)	Insertion Loss (dB Max)	Isolation (dB Min)	VSWR (Max)	Operating Temperature (°C)	Spec. over the full temp. rang			Size L*W*H (mm)	Waveguide Type
							Insertion Loss (dB Max)	Isolation (dB Min)	VSWR (Max)		
DWI538817C	5.38-8.17	500	0.30	25	1.20	-40~+80	0.30	20	1.25	45*95*49	WR137
		1000	0.40	20	1.25	-40~+80	0.40	18	1.25		
DWI657999C	6.57-9.99	500	0.30	23	1.20	-40~+80	0.30	20	1.25	36*75.5*48	WR112
		1000	0.40	20	1.25	-40~+80	0.40	18	1.25		
DWI8201250C	8.2-12.5	300	0.30	25	1.20	-40~+80	0.30	20	1.20	12.7*48.4*42	WR90
		500	0.40	20	1.25	-40~+80	0.40	18	1.30		
		1000	0.30	23	1.20	-40~+80	0.40	20	1.20	28*56*42	
		2000	0.40	20	1.25	-40~+80	0.40	18	1.25		
DWI9841500C	9.84-15.0	300	0.30	20	1.20	-40~+80	0.30	20	1.20	12.7*43*38	WR75
		600	0.30	20	1.20	-40~+80	0.35	18	1.30		
		1000	0.30	23	1.20	-40~+80	0.30	20	1.25	25*52*38	
		2000	0.40	20	1.25	-40~+80	0.40	18	1.30		
DWI11901800C	11.9-18.0	500	0.30	23	1.15	-40~+80	0.30	20	1.20	12.7*38.2*33.3	WR62
		1000	0.40	20	1.20	-40~+80	0.40	20	1.22		
		1000	0.30	23	1.20	-40~+80	0.30	20	1.20	21*52*33.3	
		2000	0.40	20	1.25	-40~+80	0.40	18	1.25		
DWI14502200C	14.5-22.0	1000	0.30	23	1.20	-40~+80	0.30	20	1.20	15*40*30.2	WR51
		2000	0.40	20	1.25	-40~+80	0.40	18	1.25		
DWI17602670C	17.6-26.7	1000	0.30	23	1.20	-40~+80	0.30	20	1.20	12.7*38.1*22.3	WR42
		2000	0.40	20	1.22	-40~+80	0.40	20	1.22		
DWI21203300C	21.2-33.0	1000	0.30	23	1.20	-40~+80	0.30	20	1.20	9.53*31.75*22.35	WR34
		2000	0.40	20	1.25	-40~+80	0.40	17	1.30		
DWI21703300C	21.7-33.0	1000	0.30	23	1.20	-40~+80	0.30	20	1.20	12.7*32*21.1	WR34
		2000	0.40	20	1.20	-40~+80	0.40	20	1.22		
DWI26304000C	26.3-40.0	1000	0.30	25	1.20	-40~+80	0.40	20	1.25	10*28*19.1	WR28
		2000	0.35	22	1.22	-40~+80	0.40	18	1.30	12.7*32*19.56	
		3000	0.40	20	1.22	-40~+80	0.50	17	1.22		
DWI32905010	32.9-50.1	1000	0.30	25	1.20	-40~+80	0.60	20	1.25	10*26*19.1	WR22
		2000	0.40	23	1.25	-40~+80	0.60	18	1.30		
DWI39205960C	39.2-59.6	1000	0.30	25	1.20	-40~+80	0.60	20	1.25	10*25.5*19.1	WR18
		2000	0.40	23	1.25	-40~+80	0.60	18	1.30		
DWI87009600C	87-96	1000	0.30	25	1.25	-40~+80	0.80	20	1.30	10*22*19.1	WR10
		2000	0.40	20	1.30	-40~+80	1.00	18	1.35		

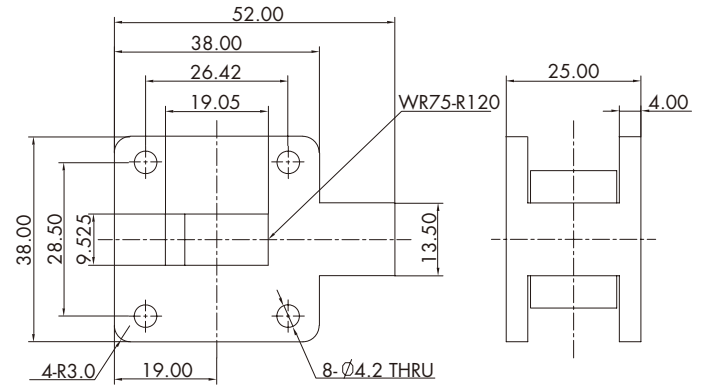
Note: All the specs above are at room temperature.

Package Drawing

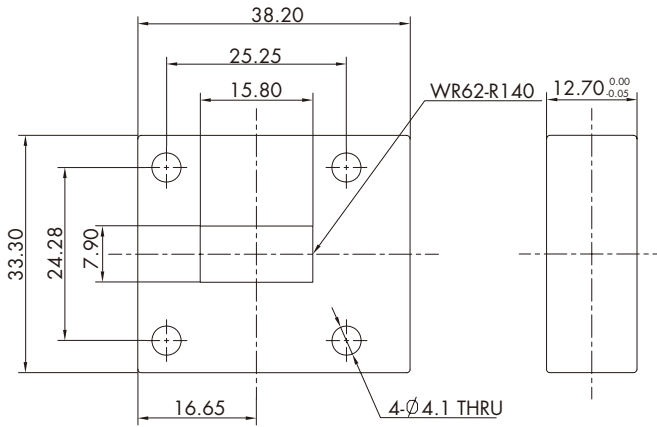
E01



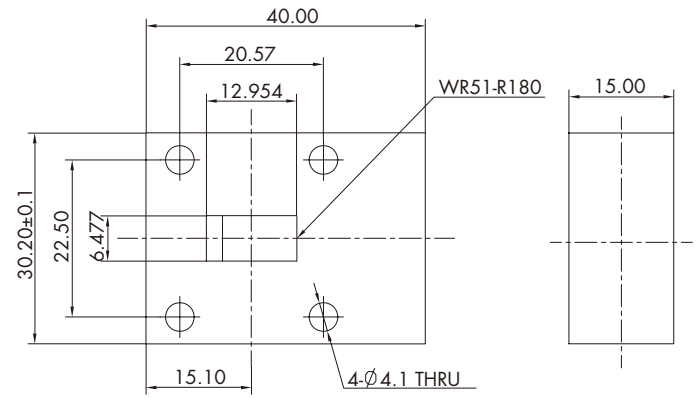
E02



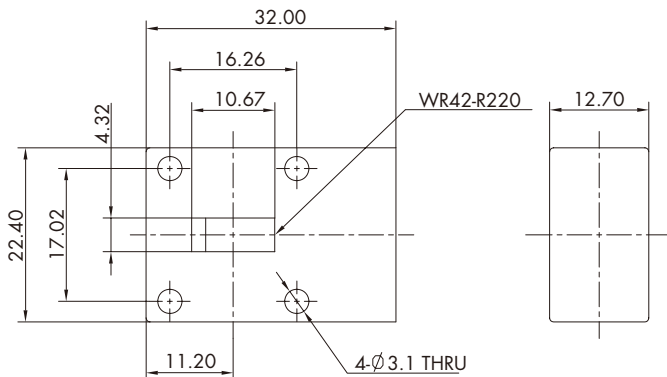
E03



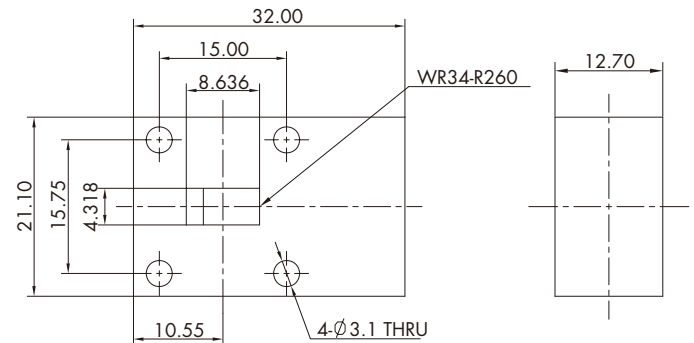
E04



E05



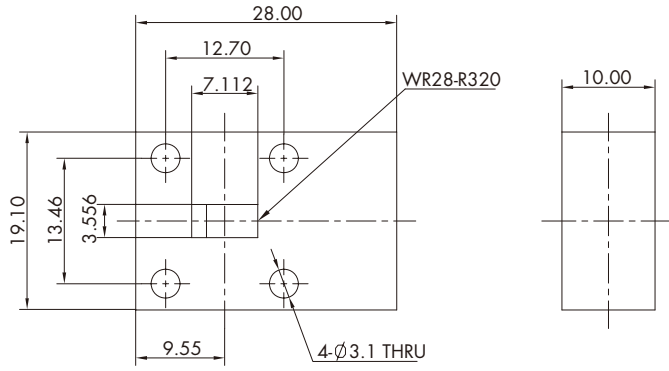
E06



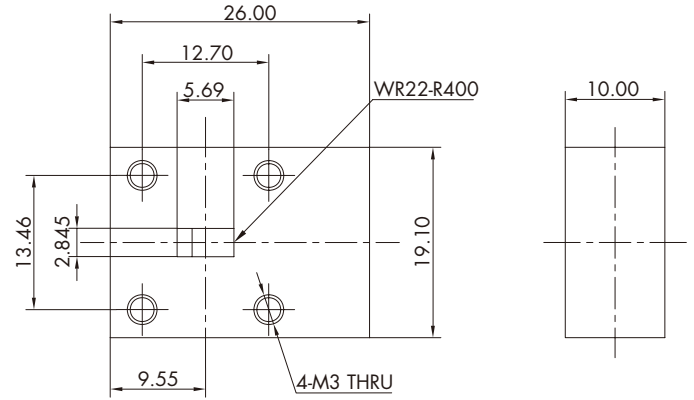
Note: All dimensions are in mm.

Package Drawing

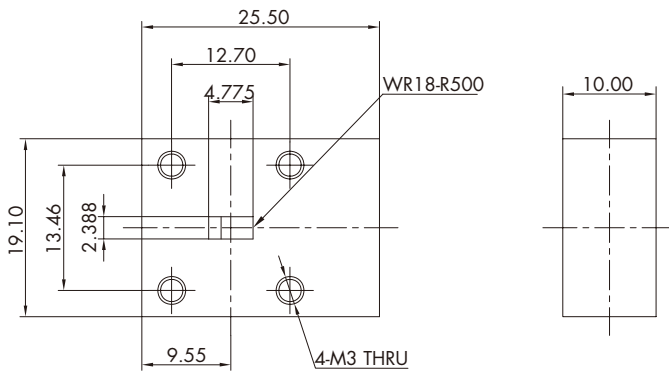
E07



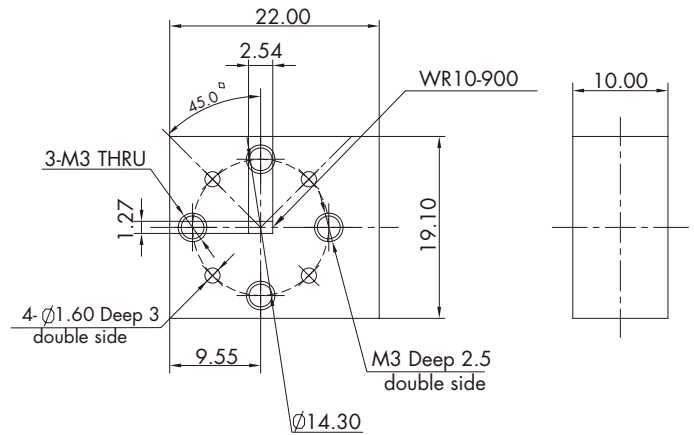
E08



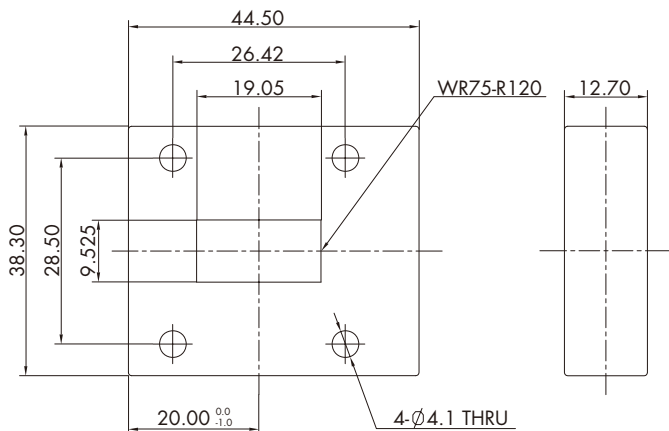
E09



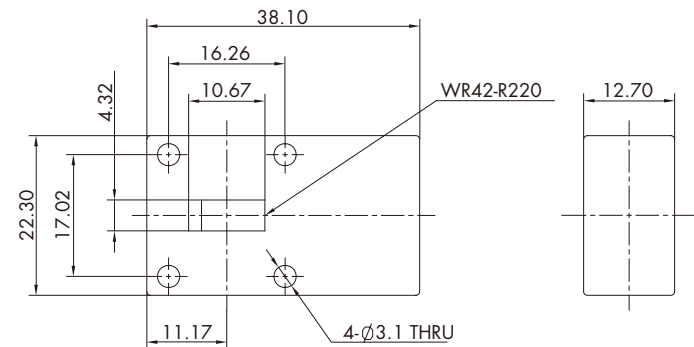
E10



E11



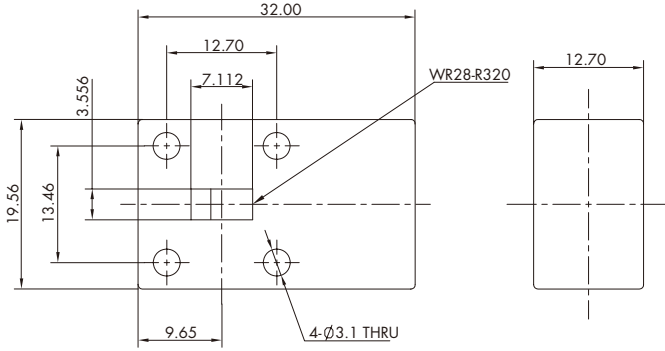
E12



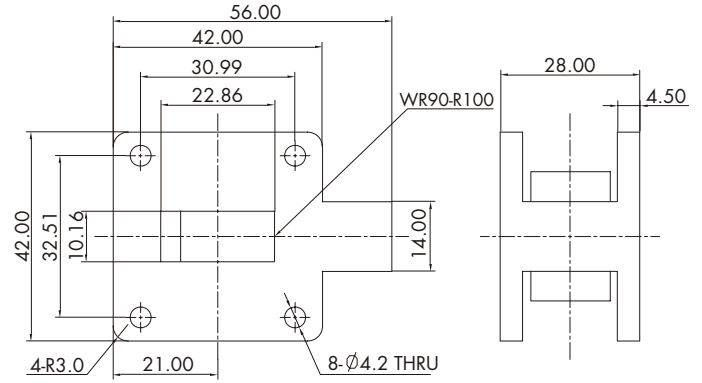
Note: All dimensions are in mm.

Package Drawing

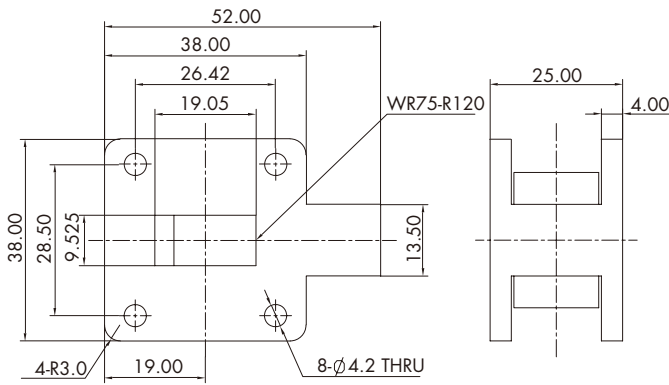
E13



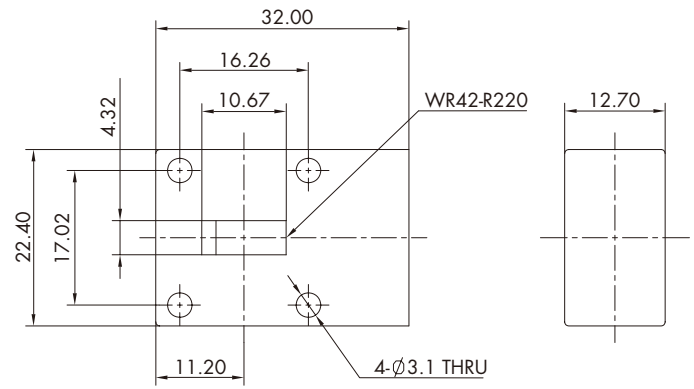
E14



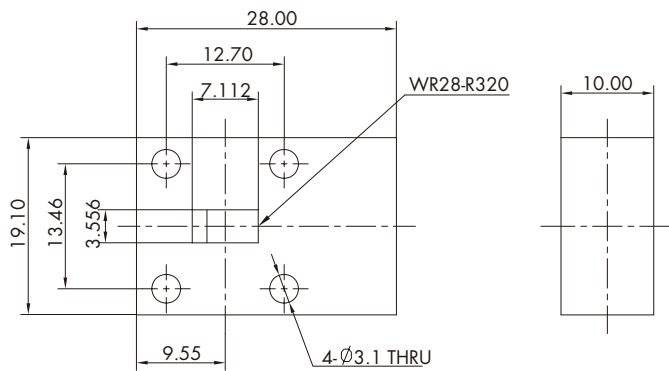
E15



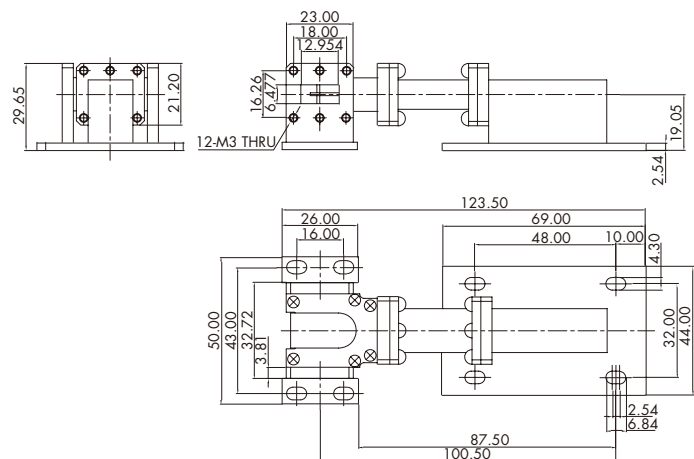
E16



E17



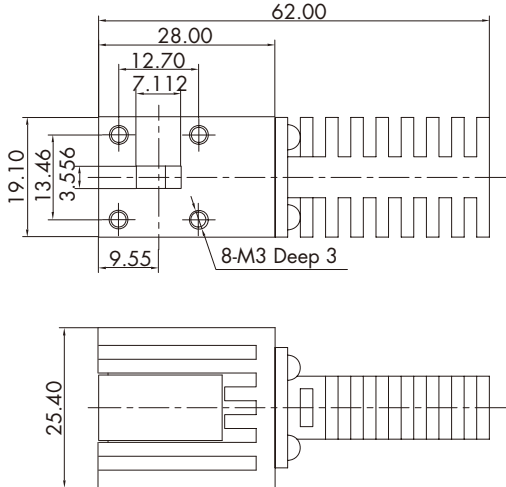
E18



Note: All dimensions are in mm.

Package Drawing

E19



Note: All dimensions are in mm.