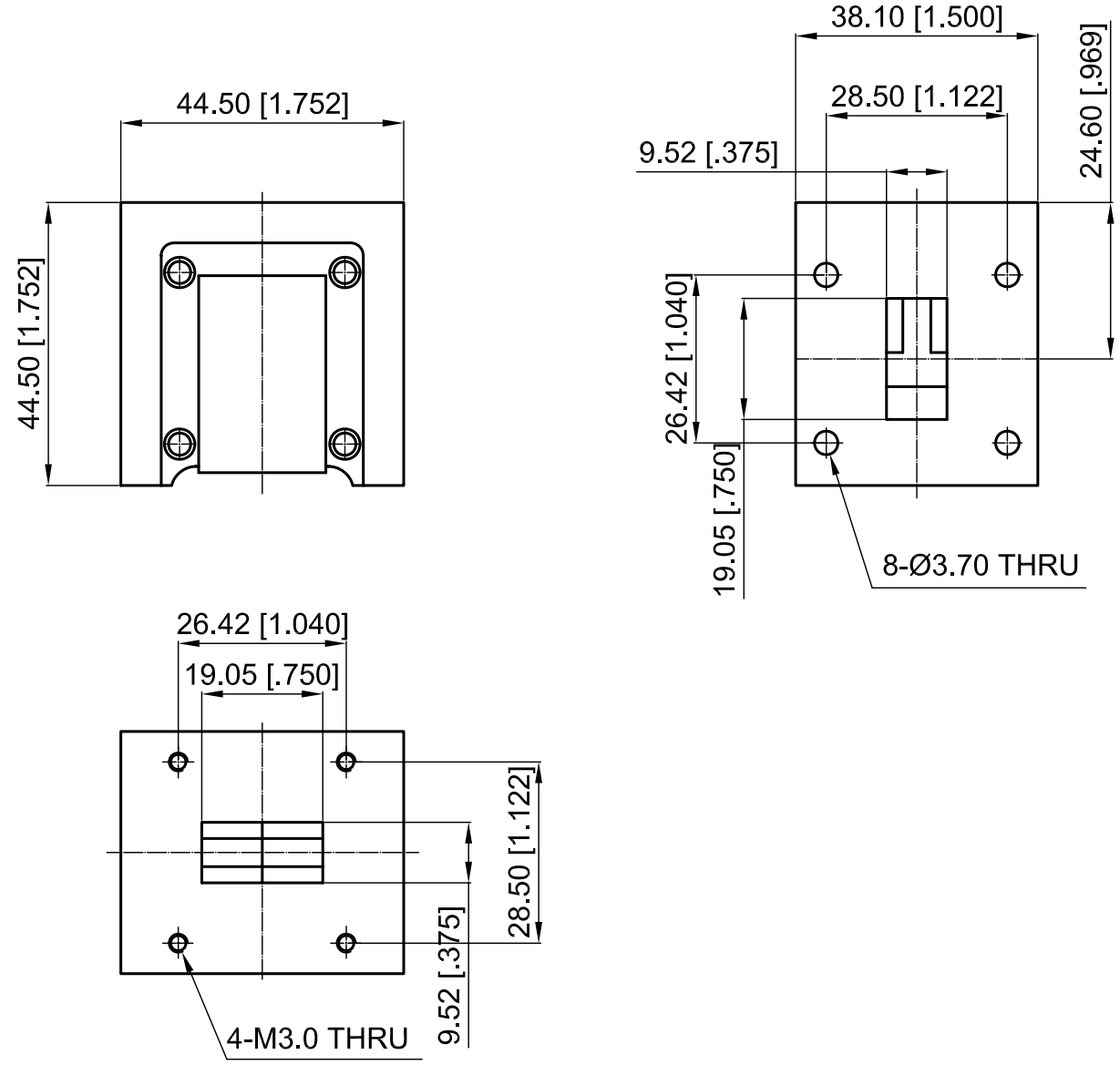


| Revisions | | | |
|-----------|-----------------|----------|-----------|
| Rev | Description | Date | Approved: |
| A | Initial Release | 2015.4.9 | A. M |

ELECTRICAL SPECIFICATIONS

Frequency Range: 10-10.7 GHz
 Insertion Loss: 0.25 dB max.
 Isolation: 23 dB min.
 VSWR: 1.15 max.
 Forward Power: 100W
 Waveguide Type: WR75
 Operation Temp: -10~+60 °C



NOTES:
 1. ALL SPECIFICATIONS ARE SUBJECT TO CHANGE WITHOUT NOTICE AT ANY TIME
 2. CUSTOMER OUTLINE DRAWING FOR REFERENCE ONLY

| | |
|--|---------------|
| Drawn: | W. Y 2015.4.9 |
| Checked: | T. L 2015.4.9 |
| Approved: | A. M 2015.4.9 |
| Unless Otherwise Specified Dimensions are in Millimeters, Dimensions in [] are in Inches for Customer Reference Only. Unless Otherwise Specified Tolerance are: .XX ±0.13 [.005"] .X ±0.20 [.008"] X ±0.50 [.019"] .X° ±1° X° ±2° | |

| | |
|----------|---|
| Title: | WR75 Circulator Freq 10-10.7 GHz |
| Part No: | DWC10001070 |



| | |
|--------|-----|
| View: | |
| Size: | A3 |
| Scale: | 1:1 |
| Sheet: | 1/1 |
| Rev: | A |