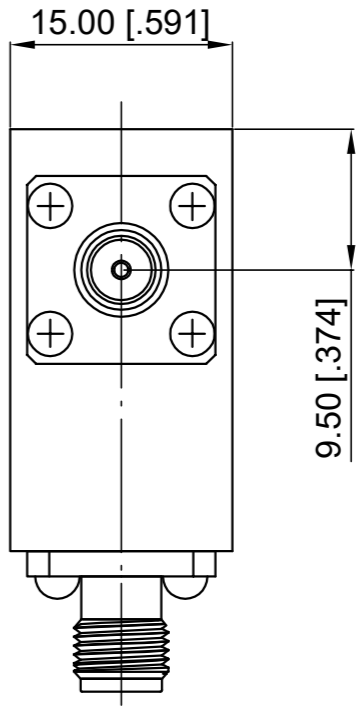
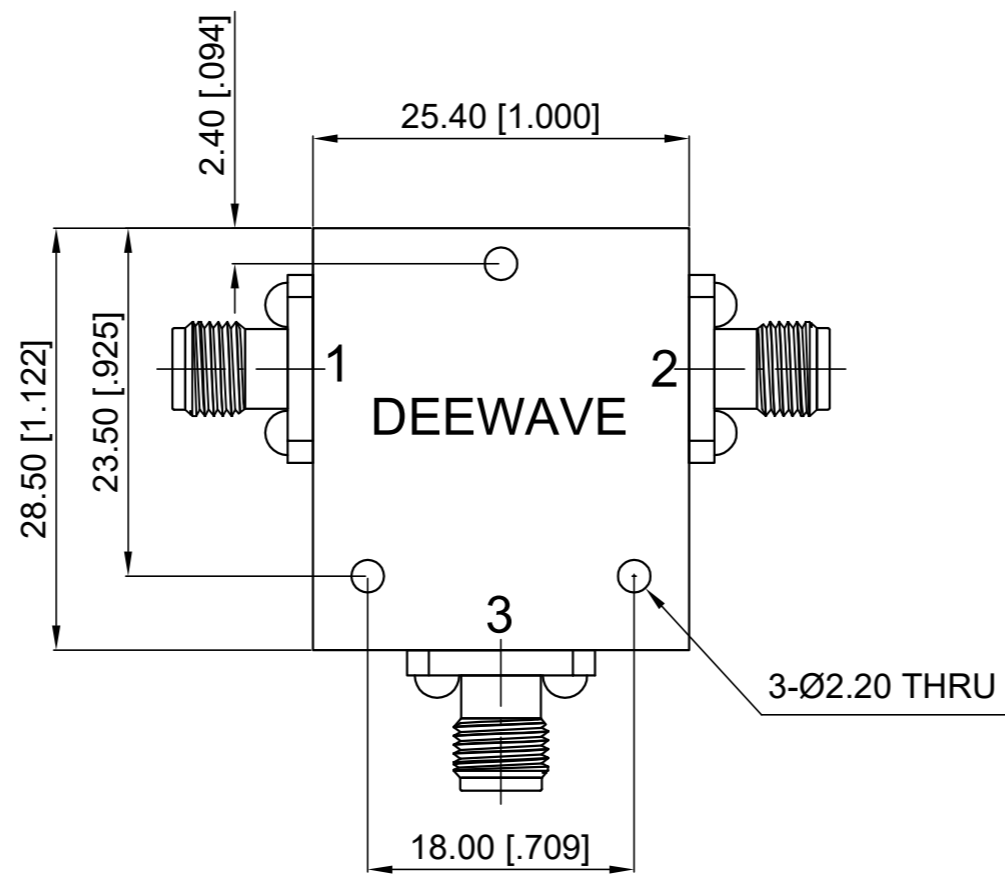


ELECTRICAL SPECIFICATIONS

Frequency Range: 1.7-1.9 GHz
 Impedance: 50 Ohm
 Insertion Loss: 0.40 dB max.
 Isolation: 20 dB min.
 VSWR: 1.25 max.
 Forward Power: 100W
 Direction: Clockwise

Revisions			
Rev	Description	Date	Approved:
A	Initial Release	2020.6.10	A. M



- NOTES:
- ALL SPECIFICATIONS ARE SUBJECT TO CHANGE WITHOUT NOTICE AT ANY TIME
 - CUSTOMER OUTLINE DRAWING FOR REFERENCE ONLY

Drawn:	W. Y 2020.6.10
Checked:	T. L 2020.6.10
Approved:	A. M 2020.6.10
Unless Otherwise Specified Dimensions are in Millimeters, Dimensions in [] are in Inches for Customer Reference Only. Unless Otherwise Specified Tolerance are: .XX ±0.13 [.005"] .X ±0.20 [.008"] X ±0.50 [.019"] .X° ±1° X° ±2°	

Title:	SMA Female Circulator Freq 1.7-1.9 GHz
Part No:	DCC170190

DEEWAVE
www.deewave.com

View:

Size: A3	Scale: 2:1	Sheet: 1/1	Rev: A
----------	------------	------------	--------