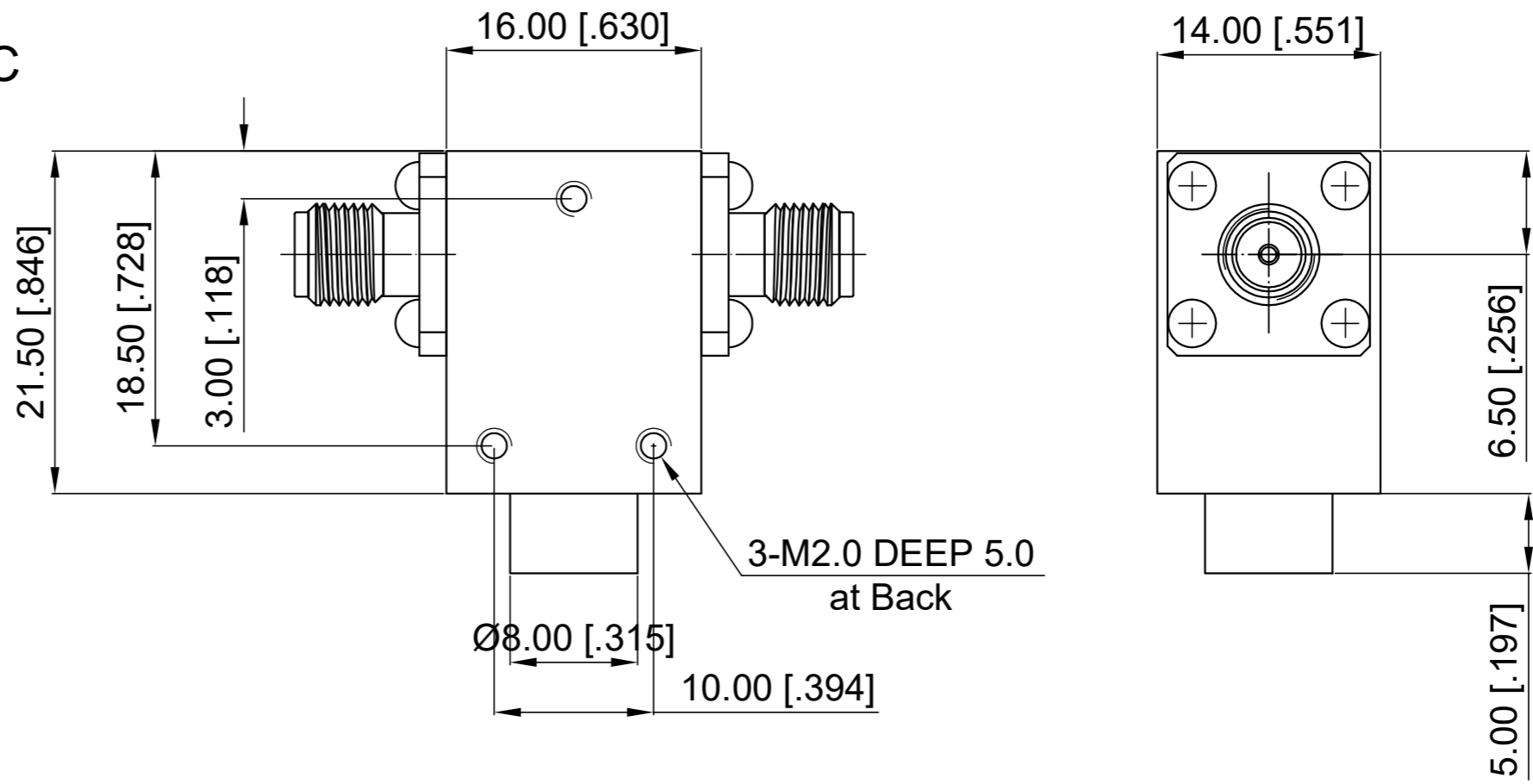



ELECTRICAL SPECIFICATIONS

Frequency Range: 6-18 GHz
 Impedance: 50 Ohm
 Insertion Loss: 1.5 dB max.
 Isolation: 9.5 dB min.
 VSWR: 2.0 max.
 Forward Power: 30 W
 Reverse Power: 10 W
 Direction: Clockwise
 Operation Temp.: +10~+60 °C

Revisions			
Rev	Description	Date	Approved:
A	Initial Release	2015.02.08	A. M
B	Specs updated	2023.12.28	A. M



NOTES:
 1. ALL SPECIFICATIONS ARE SUBJECT TO CHANGE WITHOUT NOTICE AT ANY TIME
 2. CUSTOMER OUTLINE DRAWING FOR REFERENCE ONLY

Drawn: W. Y 2023.12.28 Checked: T. L 2023.12.28 Approved: A. M 2023.12.28	Title: SMA Isolator Freq 6-18 GHz	 www.deewave.com
Unless Otherwise Specified Dimensions are in Millimeters, Dimensions in [] are in Inches for Customer Reference Only. Unless Otherwise Specified Tolerance are: .XX ±0.13 [.005"] .X ±0.20 [.008"] X ±0.50 [.019"] .X° ±1° X° ±2°	Part No: DCI6001800B	