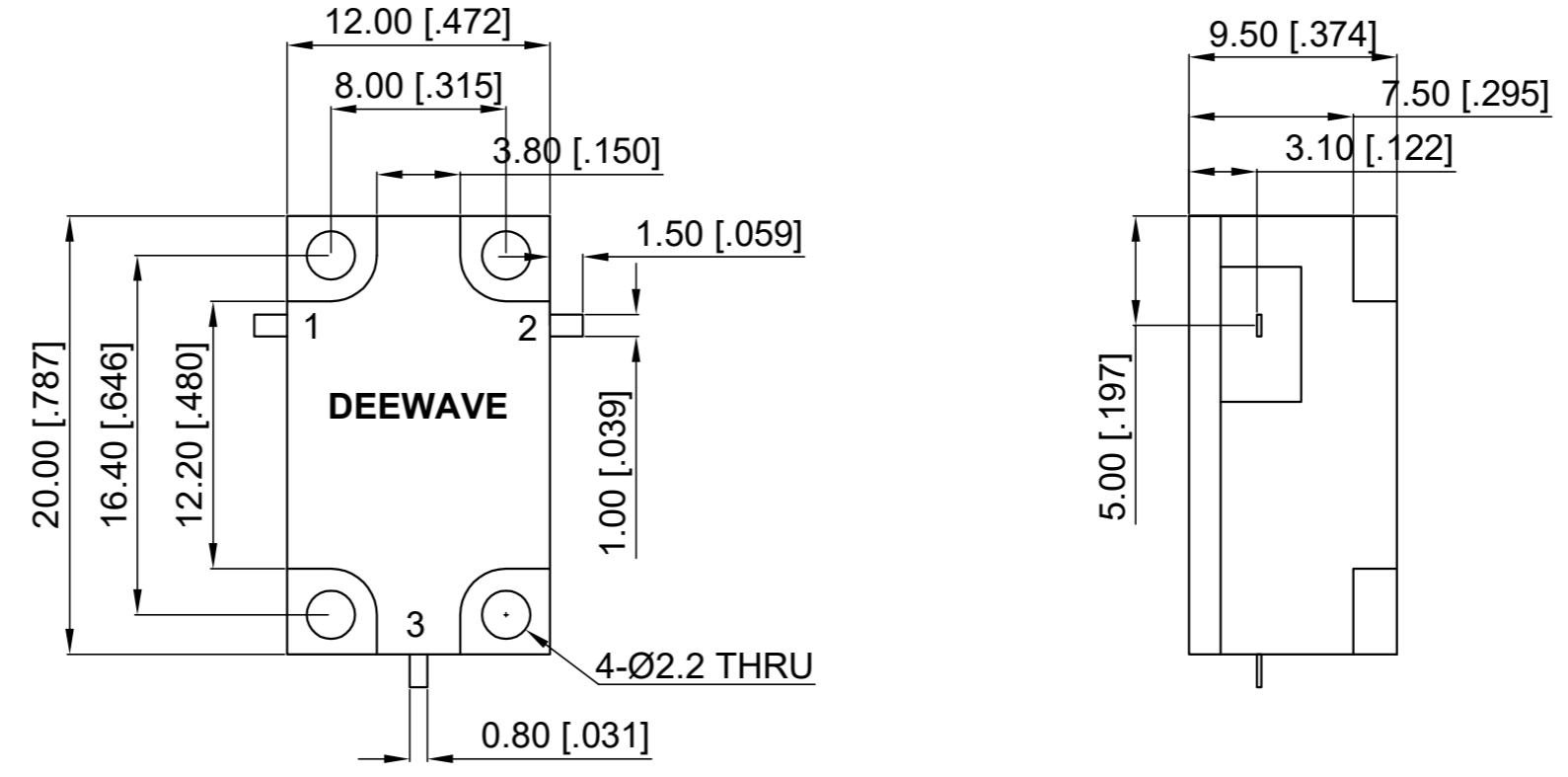


Revisions			
Rev	Description	Date	Approved:
A	Initial Release	2017.4.6	A. M

ELECTRICAL SPECIFICATIONS
 Frequency Range: 5.85-6.73 GHz
 Insertion Loss: 0.5 dB max.
 Isolation: 18 dB min.
 VSWR: 1.30 max.
 Forward Power: 30 W
 Direction: Clockwise
 Operation Temp.: -30~+75°C



NOTES:
 1. ALL SPECIFICATIONS ARE SUBJECT TO CHANGE WITHOUT NOTICE AT ANY TIME
 2. CUSTOMER OUTLINE DRAWING FOR REFERENCE ONLY

Drawn:	W. Y 2017.4.6
Checked:	T. L 2017.4.6
Approved:	A. M 2017.4.6
Unless Otherwise Specified Dimensions are in Millimeters, Dimensions in [] are in Inches for Customer Reference Only. Unless Otherwise Specified Tolerance are: .XX ±0.13 [0.005"] .X ±0.20 [0.008"] X ±0.50 [0.019"] .X° ±1° X° ±2°	

Title:	Drop-in Circulator Freq 5.85-6.73 GHz
Part No:	

DEEWAVE
www.deewave.com

View:

Size: A3	Scale: 3:1	Sheet: 1/1	Rev: A
----------	------------	------------	--------