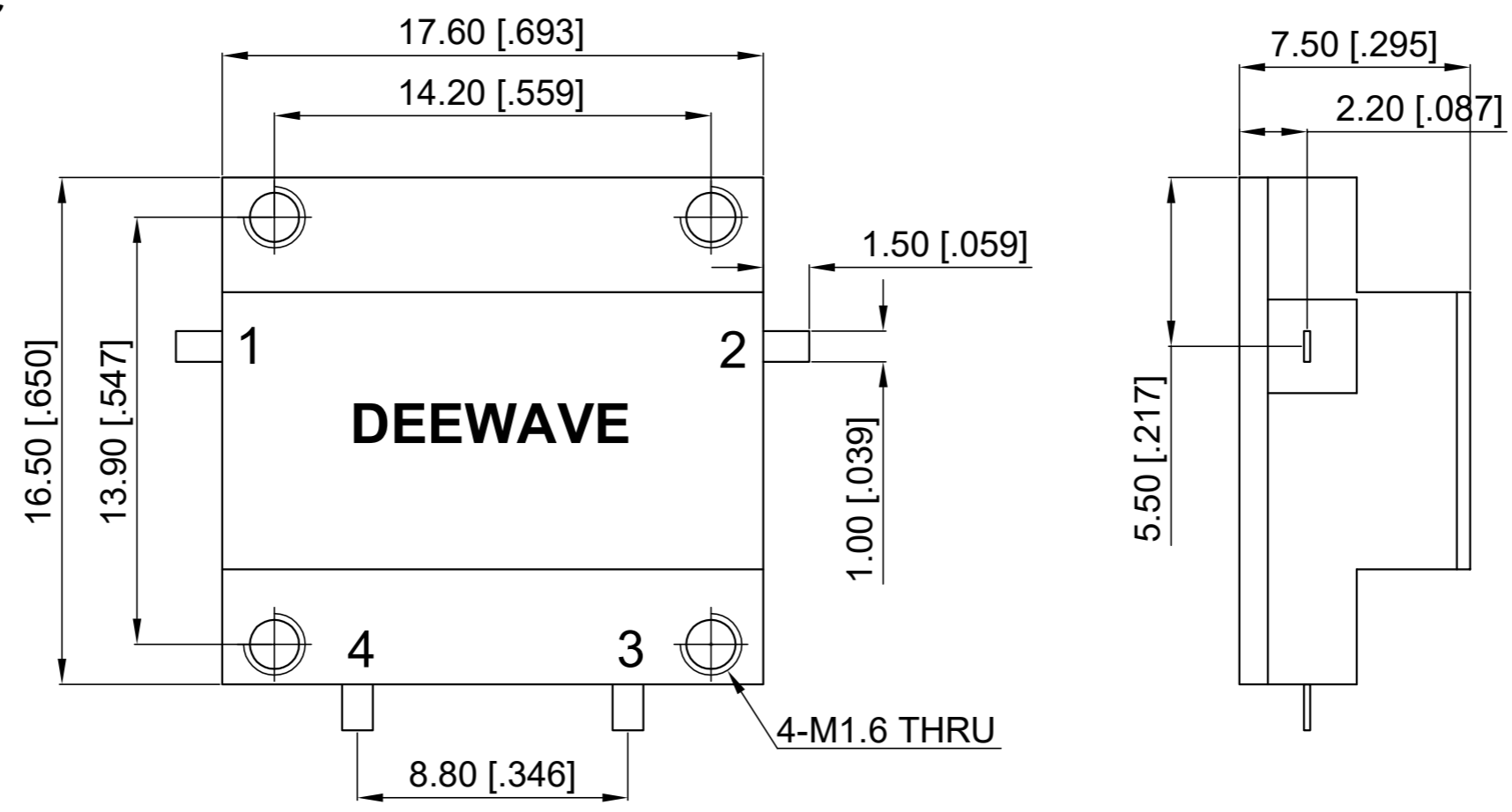


ELECTRICAL SPECIFICATIONS

Frequency Range: 7.9-8.4 GHz
 Impedance: 50 Ohm
 Insertion Loss: 0.6 dB max.
 Isolation: 46 dB min.
 VSWR: 1.20 max.
 Forward Power: 30 W
 Direction: Clockwise
 Operation Temp.: -30~+75°C

Revisions			
Rev	Description	Date	Approved:
A	Initial Release	2021.9.12	A. M



NOTES:
 1. ALL SPECIFICATIONS ARE SUBJECT TO CHANGE WITHOUT NOTICE AT ANY TIME
 2. CUSTOMER OUTLINE DRAWING FOR REFERENCE ONLY

Drawn:	W. Y 2021.9.12
Checked:	T. L 2021.9.12
Approved:	A. M 2021.9.12
Unless Otherwise Specified Dimensions are in Millimeters, Dimensions in [] are in Inches for Customer Reference Only. Unless Otherwise Specified Tolerance are: .XX ±0.13 [0.005"] .X ±0.20 [0.008"] X ±0.50 [0.019"] .X° ±1° X° ±2°	

Title:	Dual-Junction Drop-in Circulator, Freq 7.9-8.4 GHz
Part No:	DDDC790840

DEEWAVE
www.deewave.com

View:

Size:	Scale:	Sheet:	Rev:
A3	4:1	1/1	A