

**ELECTRICAL SPECIFICATIONS**

Frequency Range: 950-1450 MHz

Impedance: 50 Ohm

Insertion Loss: 0.60 dB max.

Isolation: 15 dB min.

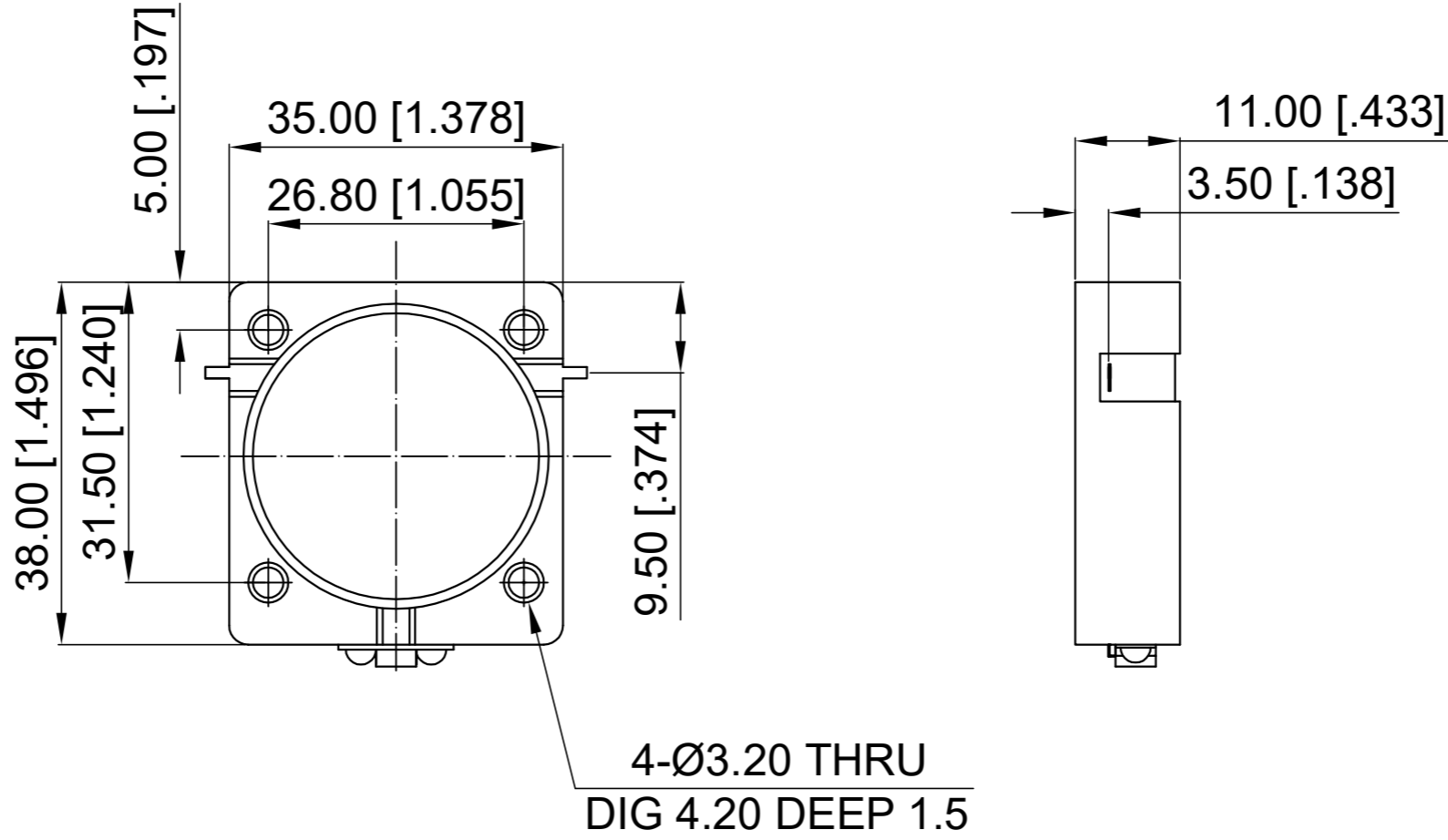
VSWR: 1.45 max.

Forward Power: 100 W

Reverse Power: 10 W

Direction: Clockwise

Revisions			
Rev	Description	Date	Approved:
A	Initial Release	2018.2.27	A. M



- NOTES:
1. ALL SPECIFICATIONS ARE SUBJECT TO CHANGE WITHOUT NOTICE AT ANY TIME
  2. CUSTOMER OUTLINE DRAWING FOR REFERENCE ONLY

Drawn:	W. Y 2018.2.27
Checked:	T. L 2018.2.27
Approved:	A. M 2018.2.27
Unless Otherwise Specified Dimensions are in Millimeters, Dimensions in [ ] are in Inches for Customer Reference Only. Unless Otherwise Specified Tolerance are: .XX ±0.13 [.005"] .X ±0.20 [.008"] X ±0.50 [.019"] .X° ±1° X° ±2°	

Title:	<b>Drop-in Isolator 950-1450 MHz</b>
Part No:	<b>DDI095145</b>

**DEEWAVE**  
www.deewave.com

View:

Size: A3	Scale: 2:1	Sheet: 1/1	Rev: A
----------	------------	------------	--------