

ELECTRICAL SPECIFICATIONS

Frequency Range: 950-2000 MHz

Impedance: 50 Ohm

Insertion Loss: 0.70 dB max.

Isolation: 16 dB min.

VSWR: 1.40 max.

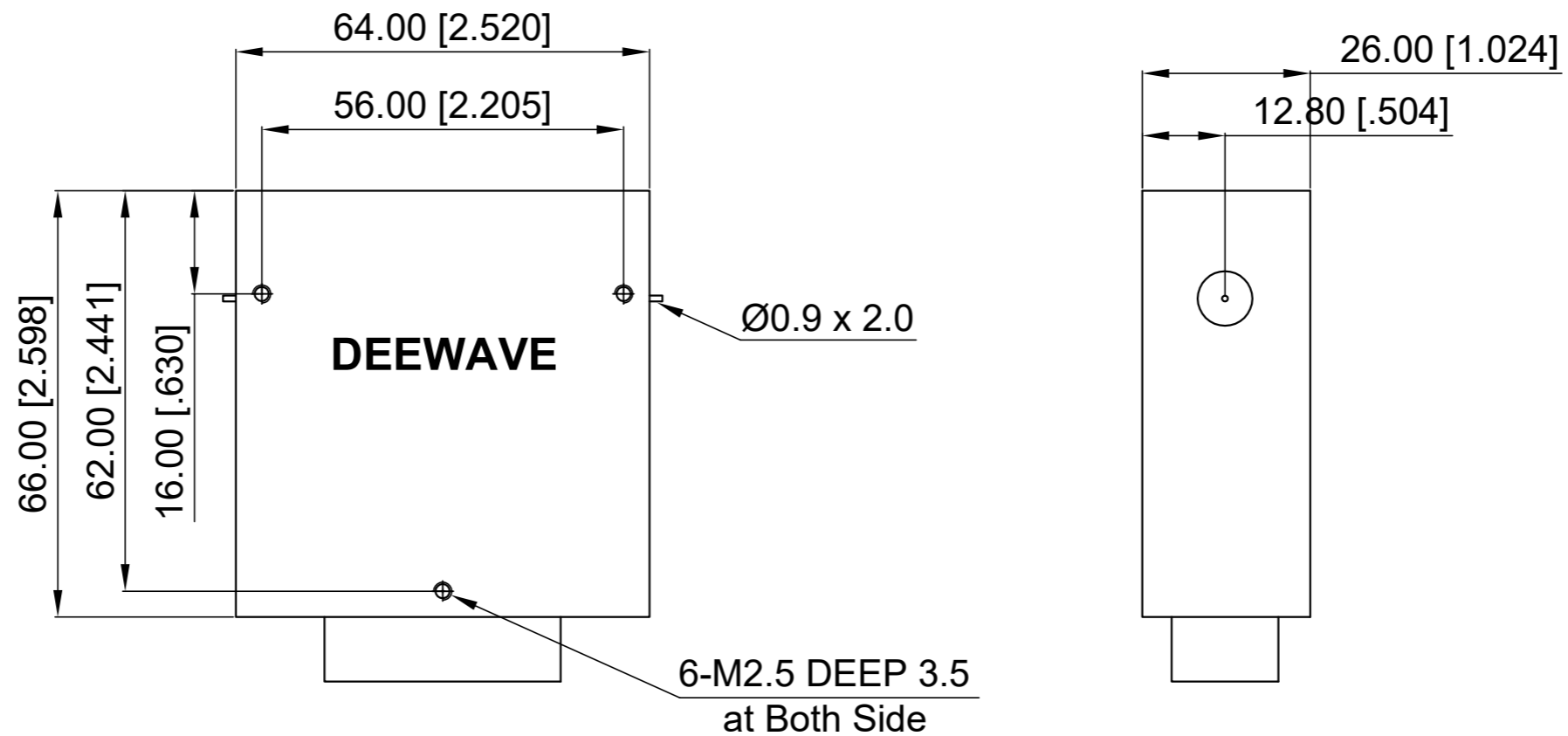
Forward Power: 100 W

Reverse Power: 50 W

Operation Temp.: 0°C~+60°C

Direction: Clockwise

Revisions			
Rev	Description	Date	Approved:
A	Initial Release	2018.1.26	A. M



NOTES:

1. ALL SPECIFICATIONS ARE SUBJECT TO CHANGE WITHOUT NOTICE AT ANY TIME
2. CUSTOMER OUTLINE DRAWING FOR REFERENCE ONLY

Drawn:	W. Y 2018.1.26
Checked:	T. L 2018.1.26
Approved:	A. M 2018.1.26
Unless Otherwise Specified Dimensions are in Millimeters, Dimensions in [] are in Inches for Customer Reference Only. Unless Otherwise Specified Tolerance are: .XX ±0.13 [.005"] .X ±0.20 [.008"] X ±0.50 [.019"] .X° ±1° X° ±2°	

Title:	Drop-in Isolator 950-2000 MHz
Part No:	



View:	
Size:	A3
Scale:	1:1
Sheet:	1/1
Rev:	A