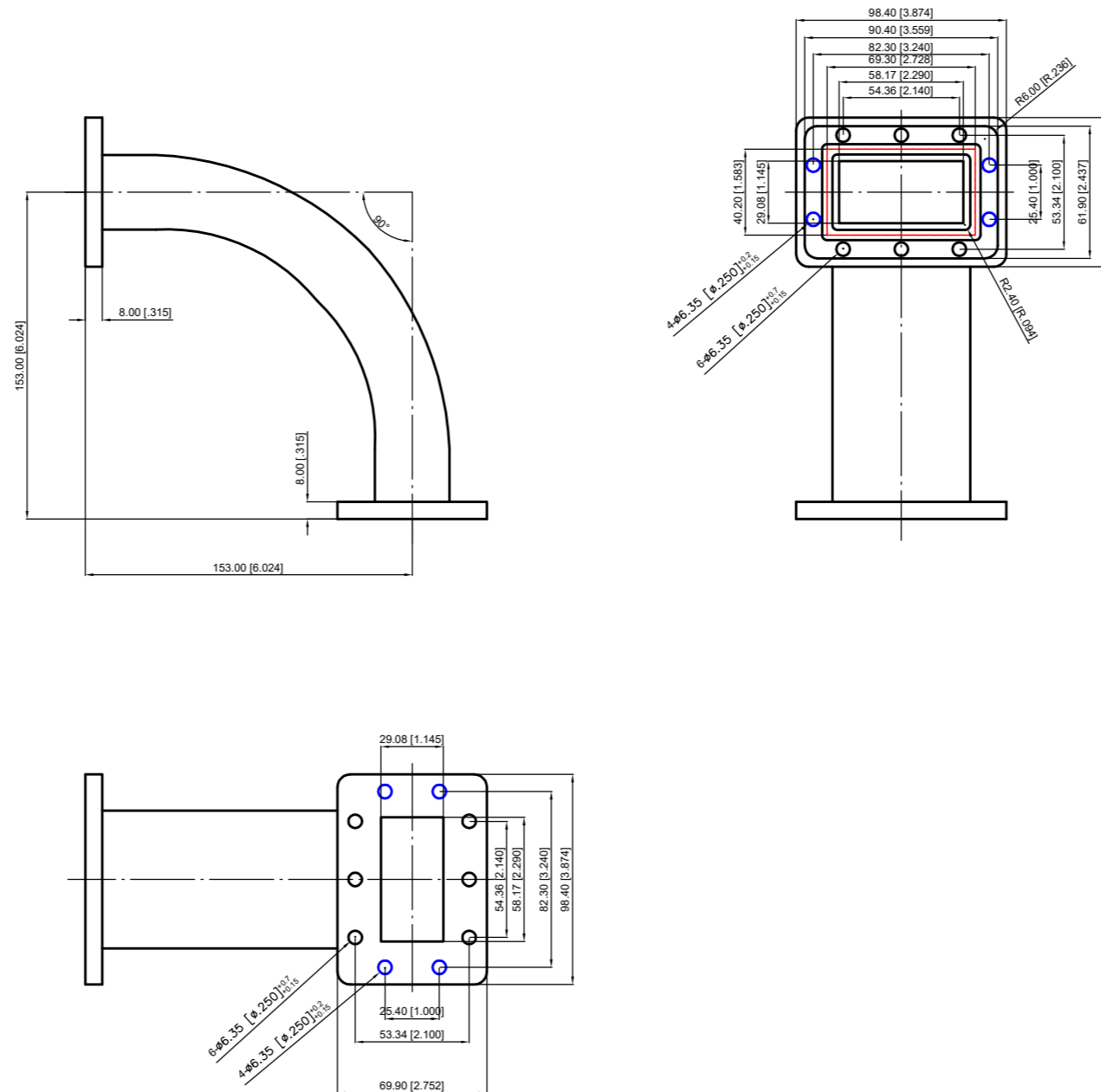


Revisions

Rev	Description	Date	Approved:
A	Initial Release	2015.11.5	A. M

ELECTRICAL PERFORMANCE
 Frequency Range: 3.22-4.9 GHz
 VSWR: 1.15 max.

MATERIAL
 Body: Brass
 Finish: Silver
 Paint: Gray Colour



NOTES:

1. ALL SPECIFICATIONS ARE SUBJECT TO CHANGE WITHOUT NOTICE AT ANY TIME
2. CUSTOMER OUTLINE DRAWING FOR REFERENCE ONLY

Drawn:	W. Y 2015.11.5
Checked:	T. L 2015.11.5
Approved:	A. M 2015.11.5
Unless Otherwise Specified Dimensions are in Millimeters, Dimensions in [] are in Inches for Customer Reference Only. Unless Otherwise Specified Tolerance are: .XX ±0.13 [.005"] .X ±0.20 [.008"] X ±0.50 [.019"] .X° ±1° X° ±2°	

Title:	WR229 E-Plane Waveguide Bend, PDR40 to UDR 40
Part No:	DWB229D1D2E



View:	
Size:	A3
Scale:	1:3
Sheet:	1/1
Rev:	A