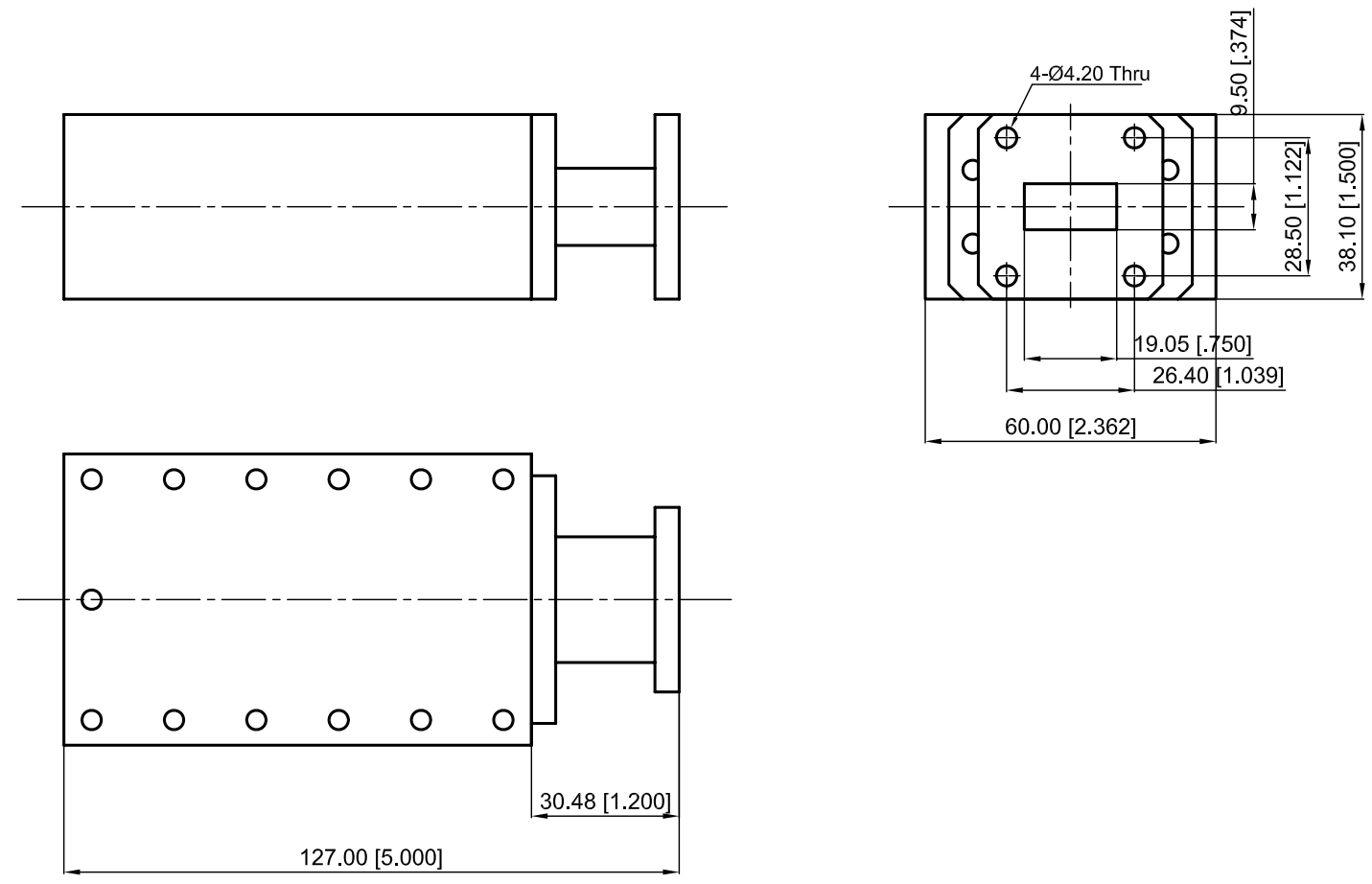


ELECTRICAL SPECIFICATIONS

Frequency Range: 10-15 GHz
 VSWR: 1.15 max.
 Load Power: 100W CW
 Peak Power: 200 KW
 WG Type: WR75
 Material: Alminum

Revisions			
Rev	Description	Date	Approved:
A	Initial Release	2015.7.15	A. M



NOTES:
 1. ALL SPECIFICATIONS ARE SUBJECT TO CHANGE WITHOUT NOTICE AT ANY TIME
 2. CUSTOMER OUTLINE DRAWING FOR REFERENCE ONLY

Drawn:	W. Y 2015.7.15
Checked:	T. L 2015.7.15
Approved:	A. M 2015.7.15
Unless Otherwise Specified Dimensions are in Millimeters, Dimensions in [] are in Inches for Customer Reference Only. Unless Otherwise Specified Tolerance are: .XX ±0.13 [.005"] .X ±0.20 [.008"] X ±0.50 [.019"] .X° ±1° X° ±2°	

Title:	WR75 Load, 100W
Part No:	DWL75-100

DEEWAVE
www.deewave.com

View:

Size: A3	Scale: 1:1.5	Sheet: 1/1	Rev: A
----------	--------------	------------	--------