

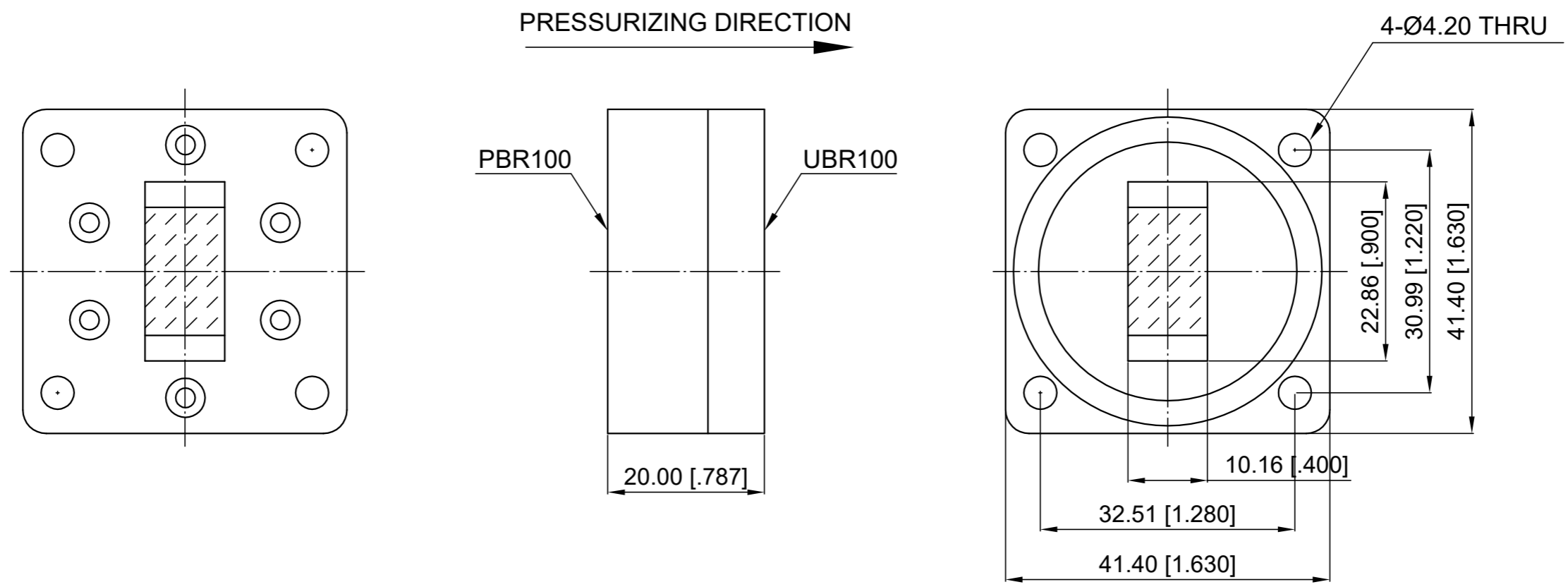
Revisions			
Rev	Description	Date	Approved:
A	Initial Release	2022.4.6	A. M

ELECTRICAL PERFORMANCE

1. Frequency Range: 8.2-12.5 GHz
2. VSWR: 1.25 Max.
3. Insertion Loss: 0.25 dB max.
4. Average Power: 500 W
5. Peak Power: 100 KW
6. Pressure: 0.2 MPa (29 PSI) Max.

MATERIAL

1. Body: Brass, Ag Plated
2. Paint: Gray



NOTES:
 1. ALL SPECIFICATIONS ARE SUBJECT TO CHANGE WITHOUT NOTICE AT ANY TIME
 2. CUSTOMER OUTLINE DRAWING FOR REFERENCE ONLY

Drawn:	W. Y 2022.4.6
Checked:	T. L 2022.4.6
Approved:	A. M 2022.4.6
Unless Otherwise Specified Dimensions are in Millimeters, Dimensions in [] are in Inches for Customer Reference Only. Unless Otherwise Specified Tolerance are: .XX ±0.13 [0.005"] .X ±0.20 [0.008"] X ±0.50 [0.019"] .X° ±1° X° ±2°	

Title:	WR90 Pressure Window Freq 8.2-12.5 GHz
Part No:	DWPW90

DEEWAVE
www.deewave.com

View:

Size:	Scale:	Sheet:	Rev:
A3	1:1.5	1/1	A