

6

5

4

3

2

1

Revisions			
Rev	Description	Date	Approved:
A	Initial Release	2015.2.2	A. M

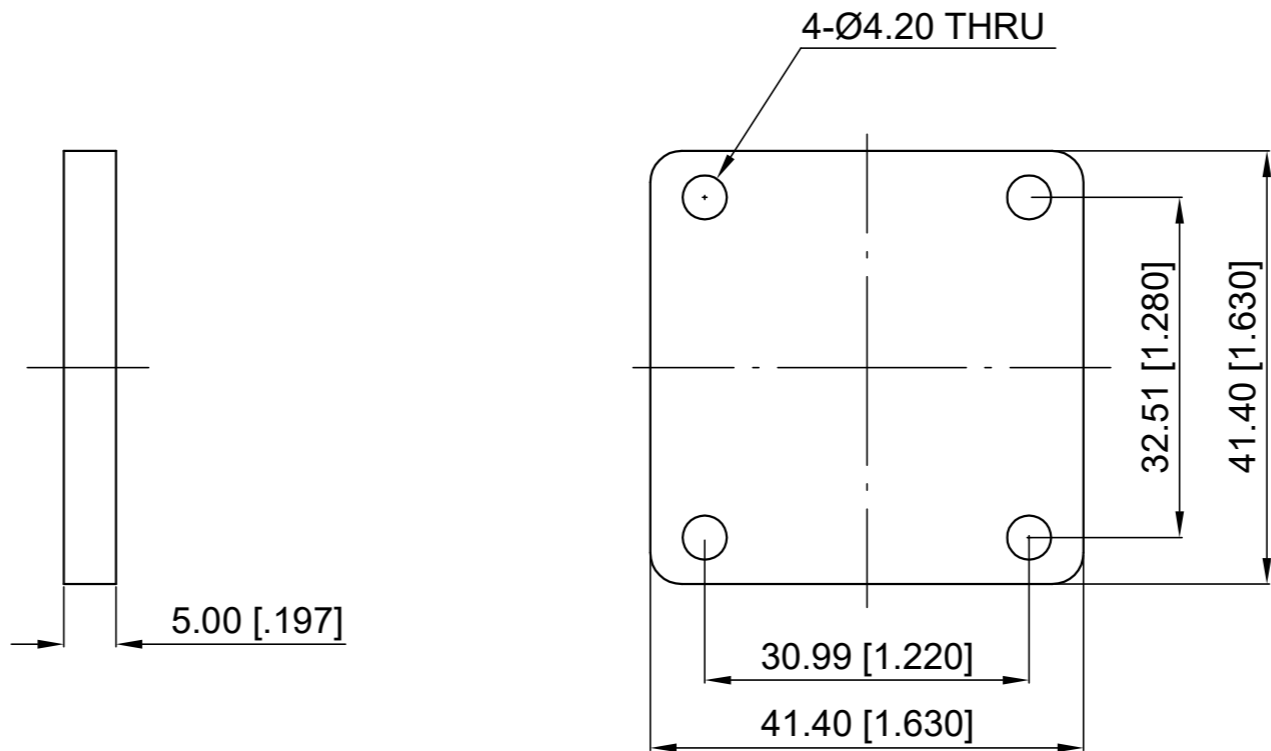
**ELECTRICAL SPECIFICATIONS**

Frequency Range: 8.2-12.4 GHz

VSWR: 60 Min.

**MATERIAL**

Waveguide Body: Alminum, Oxidized



F

E

D

C

B

A

F

E

D

C

B

A

NOTES:

- 1. ALL SPECIFICATIONS ARE SUBJECT TO CHANGE WITHOUT NOTICE AT ANY TIME
- 2. CUSTOMER OUTLINE DRAWING FOR REFERENCE ONLY

Drawn:	W. Y 2015.2.2
Checked:	T. L 2015.2.2
Approved:	A. M 2015.2.2
Unless Otherwise Specified Dimensions are in Millimeters, Dimensions in [ ] are in Inches for Customer Reference Only. Unless Otherwise Specified Tolerance are: .XX ±0.13 [.005"] .X ±0.20 [.008"] X ±0.50 [.019"] .X° ±1° X° ±2°	

Title:	WR90 (UBR100) Short, Freq 8.2-12.4 GHz
Part No:	DWST90

**DEEWAVE**  
www.deewave.com

View:

Size: A3	Scale: 1:1	Sheet: 1/1	Rev: A
----------	------------	------------	--------

6

5

4

3

2

1