

6

5

4

3

2

1

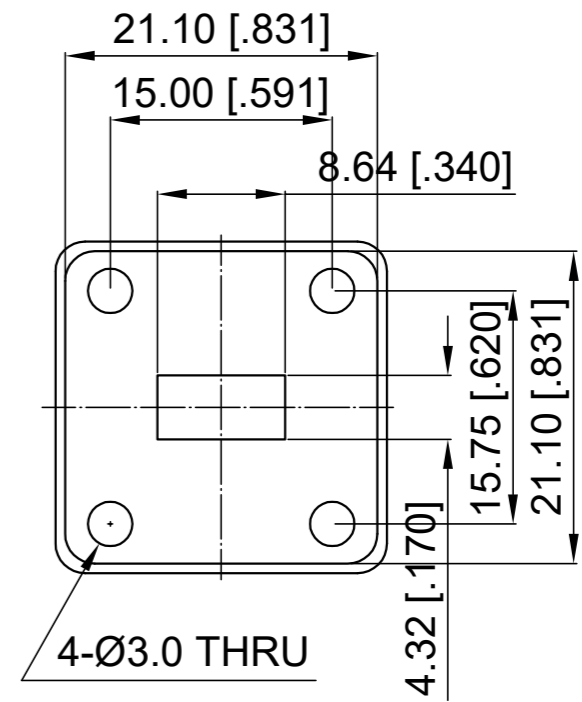
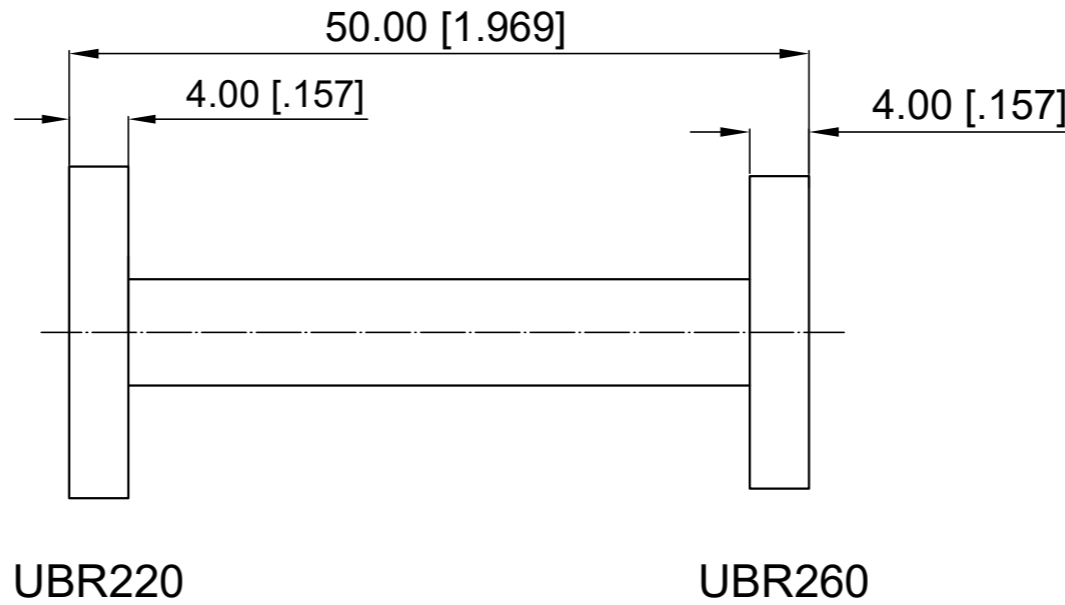
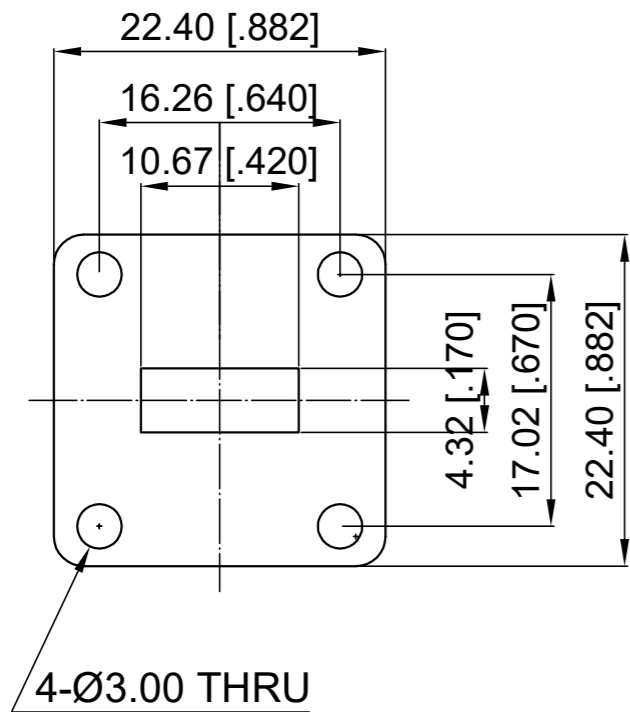
Revisions			
Rev	Description	Date	Approved:
A	Initial Release	2021.7.21	A. M

ELECTRICAL PERFORMANCE

- 1. Frequency Range: 21.7-26.7 GHz
- 2. VSWR: 1.10 max.
- 3. Port 1: WR42 (UBR220)
- 4. Port 2: WR34 (UBR260)

MATERIAL

- 1. Body: Brass plated Ag
- 2. Paint: Gray



F

E

D

C

B

A

F

E

D

C

B

A

NOTES:

- 1. ALL SPECIFICATIONS ARE SUBJECT TO CHANGE WITHOUT NOTICE AT ANY TIME
- 2. CUSTOMER OUTLINE DRAWING FOR REFERENCE ONLY

Drawn:	W. Y 2021.7.21
Checked:	T. L 2021.7.21
Approved:	A. M 2021.7.21
Unless Otherwise Specified Dimensions are in Millimeters, Dimensions in [] are in Inches for Customer Reference Only. Unless Otherwise Specified Tolerance are: .XX ±0.13 [.005"] .X ±0.20 [.008"] X ±0.50 [.019"] .X° ±1° X° ±2°	

Title:	WR42 to WR34 Waveguide Transition, 50mm Length
Part No:	DWT42-34-50

DEEWAVE
www.deewave.com

View:

Size: A3	Scale: 1:1	Sheet: 1/1	Rev: A
----------	------------	------------	--------

6

5

4

3

2

1