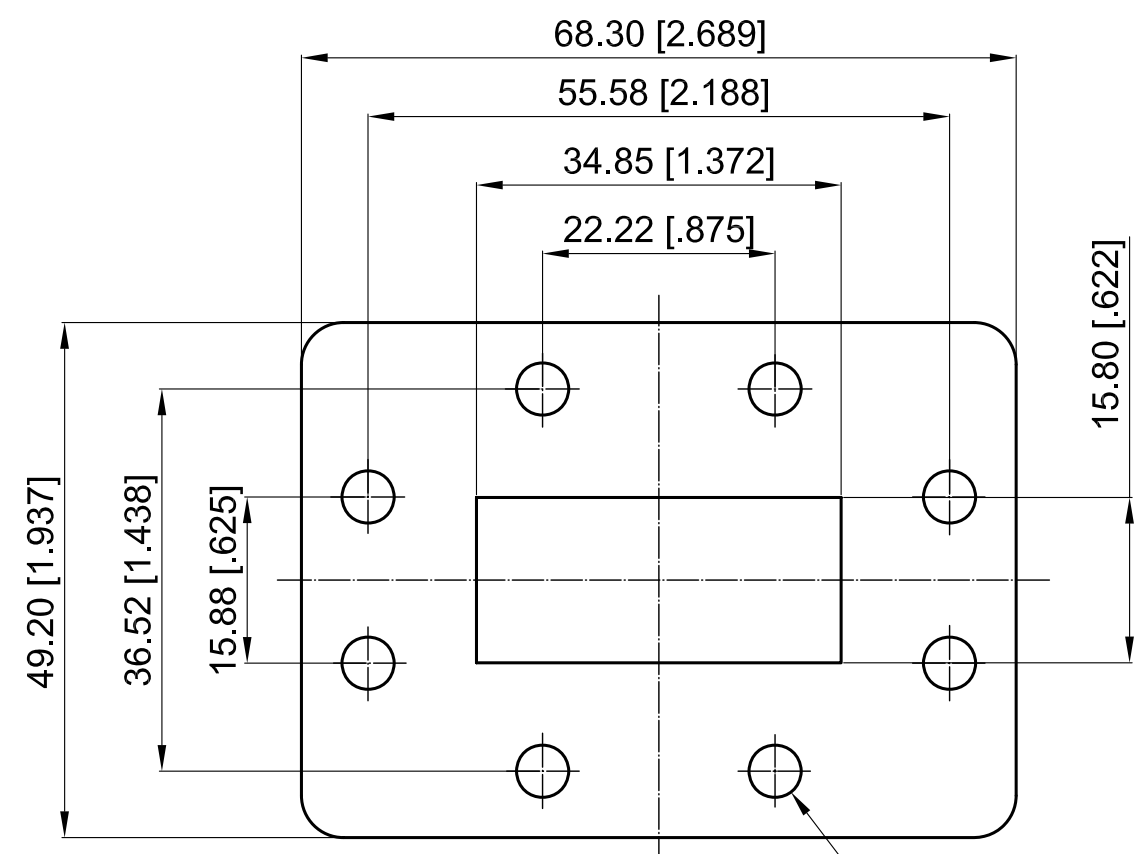
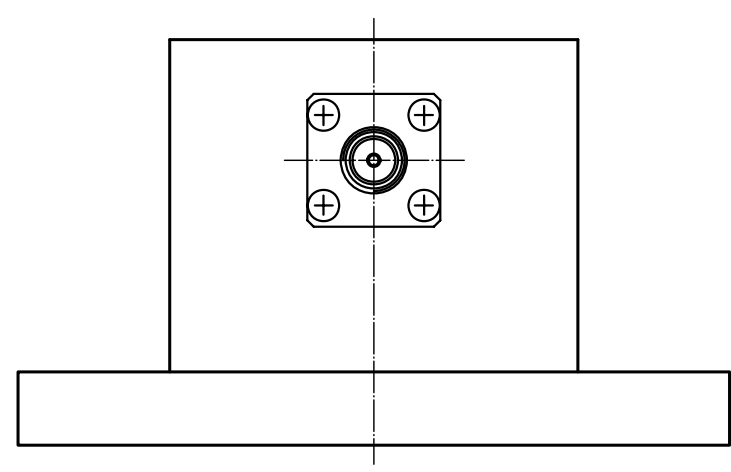
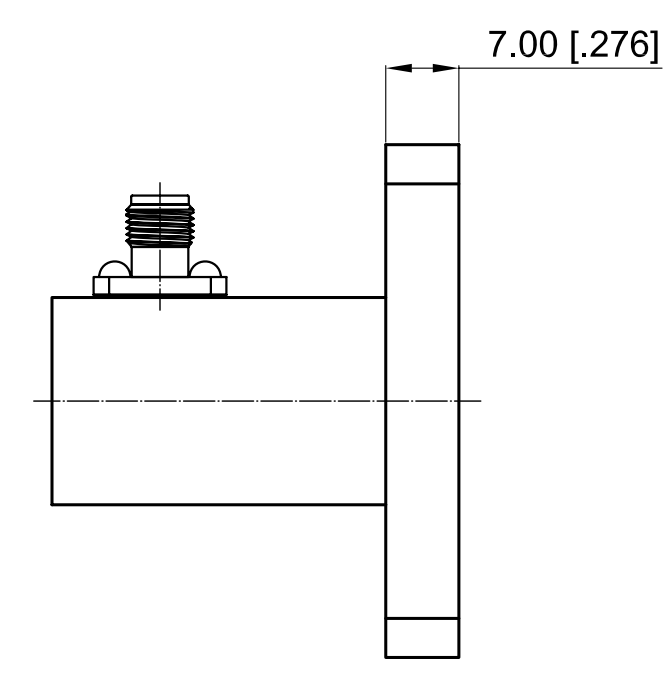


Revisions			
Rev	Description	Date	Approved:
A	Initial Release	2015.12.22	A. M



8-Ø5.0 THRU



ELECTRICAL SPECIFICATIONS
 Frequency Range: 5.85-8.2 GHz
 VSWR: 1.30 max.

NOTES:
 1. ALL SPECIFICATIONS ARE SUBJECT TO CHANGE WITHOUT NOTICE AT ANY TIME
 2. CUSTOMER OUTLINE DRAWING FOR REFERENCE ONLY

Drawn:	W. Y 2015.12.22
Checked:	T. L 2015.12.22
Approved:	A. M 2015.12.22
Unless Otherwise Specified Dimensions are in Millimeters, Dimensions in [] are in Inches for Customer Reference Only. Unless Otherwise Specified Tolerance are: .XX ±0.13 [.005"] .X ±0.20 [.008"] X ±0.50 [.019"] .X° ±1° X° ±2°	

Title:	WR137 to SMA Female Adaptor, Direct 90°
Part No:	

DEEWAVE
www.deewave.com

View:

Size:	Scale:	Sheet:	Rev:
A3	1:1	1/1	A