

6

5

4

3

2

1

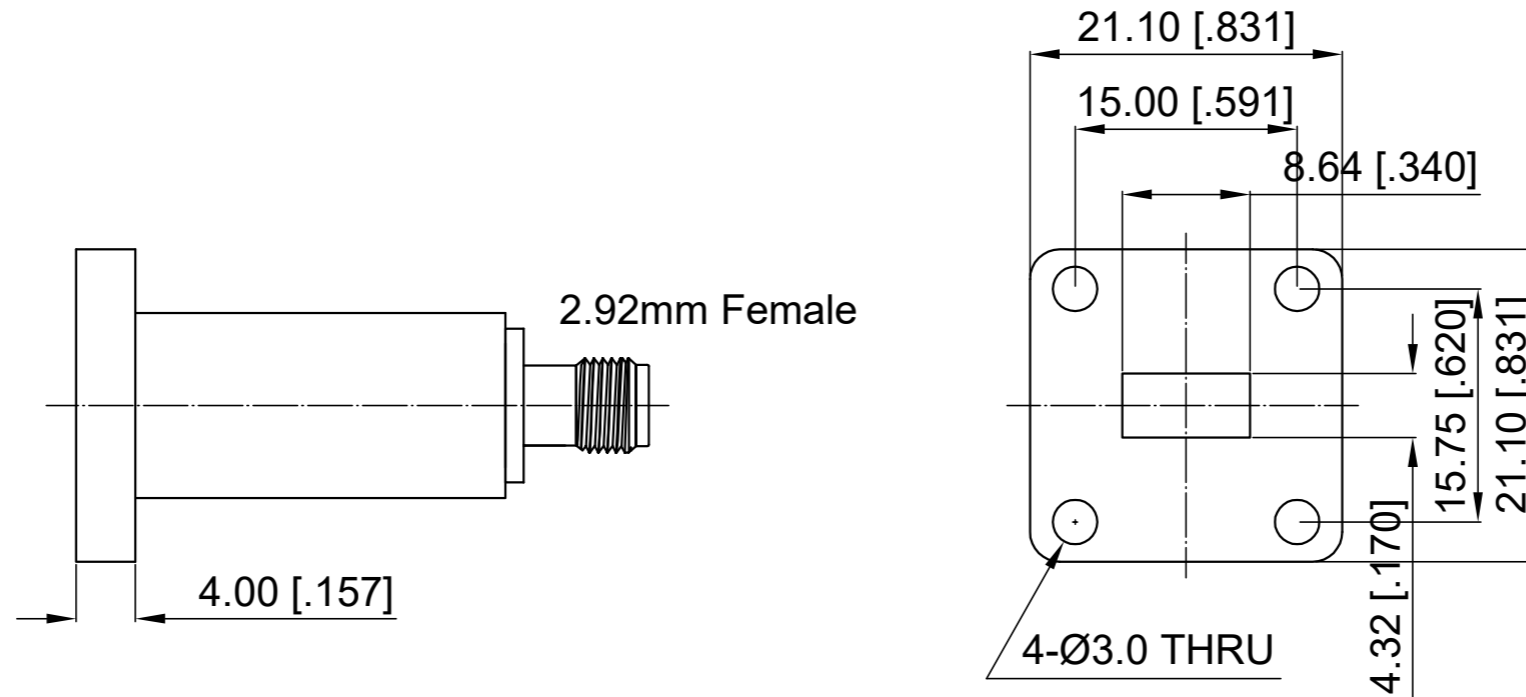
Revisions			
Rev	Description	Date	Approved:
A	Initial Release	2017.3.9	A. M

**ELECTRICAL PERFORMANCE**

Impedance: 50 Ohm  
Frequency Range: 21.7-33 GHz  
VSWR: 1.30 Max.

**MATERIAL**

Body: Brass, Ag plated, Painted



NOTES:

- 1. ALL SPECIFICATIONS ARE SUBJECT TO CHANGE WITHOUT NOTICE AT ANY TIME
- 2. CUSTOMER OUTLINE DRAWING FOR REFERENCE ONLY

Drawn:	W. Y 2017.3.9
Checked:	T. L 2017.3.9
Approved:	A. M 2017.3.9
Unless Otherwise Specified Dimensions are in Millimeters, Dimensions in [ ] are in Inches for Customer Reference Only. Unless Otherwise Specified Tolerance are: .XX ±0.13 [.005"] .X ±0.20 [.008"] X ±0.50 [.019"] .X° ±1° X° ±2°	

Title:	WR34 (UBR260) End Launch to 2.92mm Female Adaptor, Freq 21.7-33 GHz
Part No:	DWCA34-292F



View:	
Size:	A3
Scale:	2:1
Sheet:	1/1
Rev:	B

6

5

4

3

2

1