

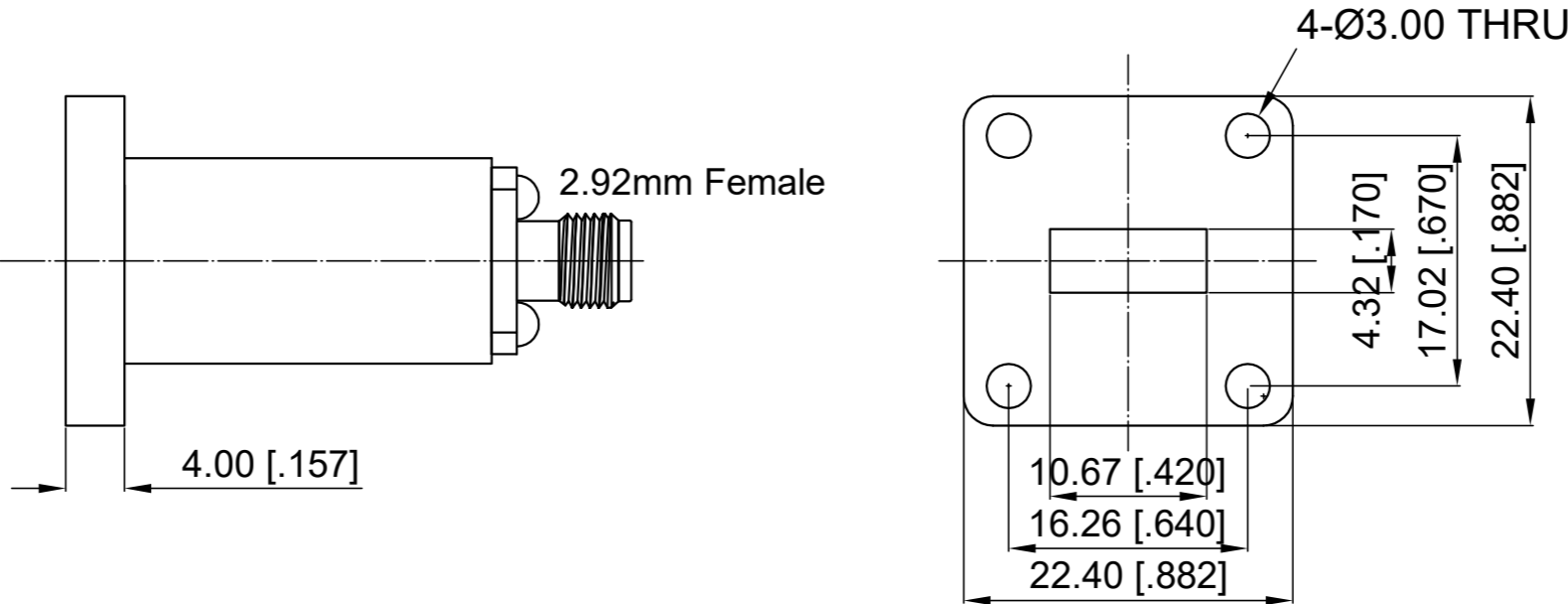
Revisions			
Rev	Description	Date	Approved:
A	Initial Release	2021.4.1	A. M

ELECTRICAL SPECIFICATIONS

Impedance: 50 Ohm
Frequency Range: 17.6-26.7 GHz
VSWR: 1.25 max.

MATERIAL

Body: Brass



A

NOTES:

- 1. ALL SPECIFICATIONS ARE SUBJECT TO CHANGE WITHOUT NOTICE AT ANY TIME
- 2. CUSTOMER OUTLINE DRAWING FOR REFERENCE ONLY

Drawn:	W. Y 2021.4.1
Checked:	T. L 2021.4.1
Approved:	A. M 2021.4.1
Unless Otherwise Specified Dimensions are in Millimeters, Dimensions in [] are in Inches for Customer Reference Only. Unless Otherwise Specified Tolerance are: .XX ±0.13 [.005"] .X ±0.20 [.008"] X ±0.50 [.019"] .X° ±1° X° ±2°	

Title:	WR42 (UBR220) End Launch to 2.92mm Female Adaptor, 17.6-26.7 GHz
Part No:	DWCA42-292F



View:	
Size:	A3
Scale:	2:1
Sheet:	1/1
Rev:	A