

6

5

4

3

2

1

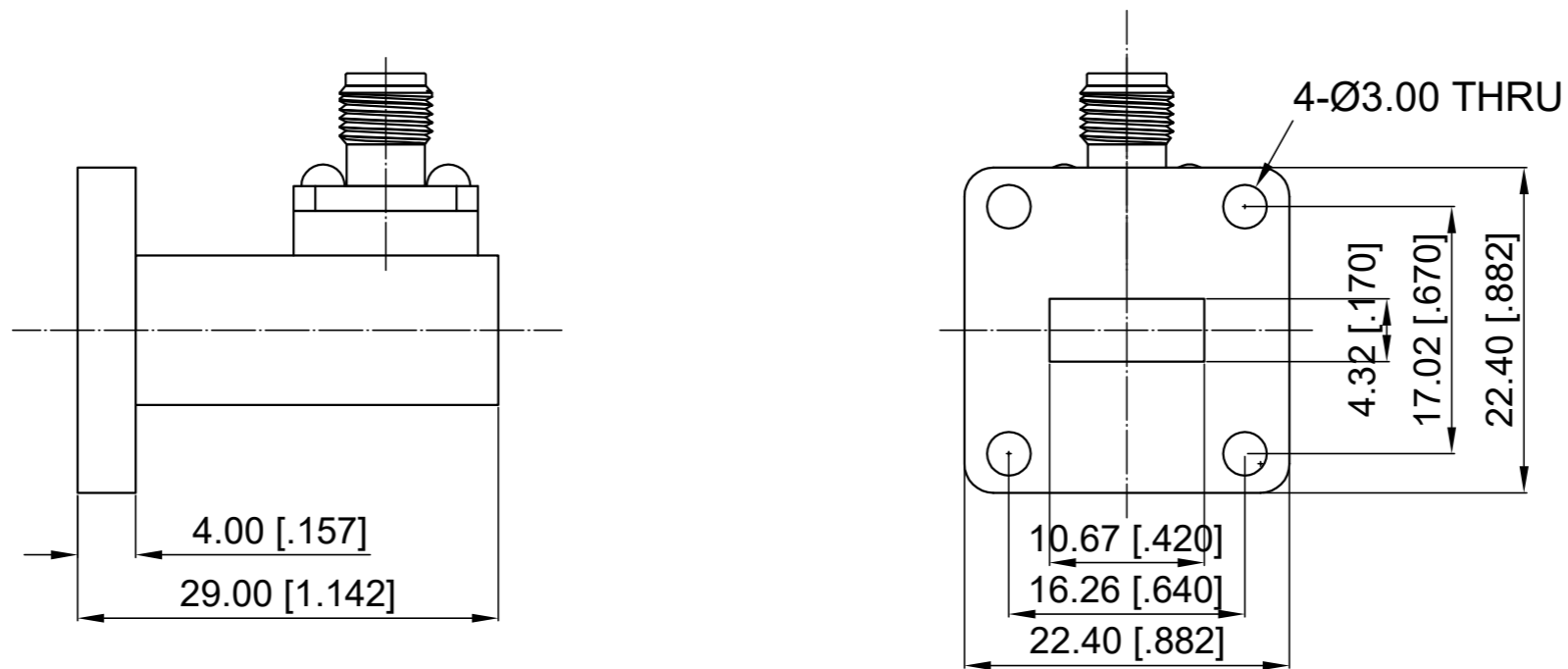
Revisions			
Rev	Description	Date	Approved:
A	Initial Release	2016.1.8	A. M
B	Outline Updated	2021.4.1	A. M

ELECTRICAL SPECIFICATIONS

Impedance: 50 Ohm
Frequency Range: 17.6-26.7 GHz
VSWR: 1.25 max.

MATERIAL

Body: Brass



NOTES:

- 1. ALL SPECIFICATIONS ARE SUBJECT TO CHANGE WITHOUT NOTICE AT ANY TIME
- 2. CUSTOMER OUTLINE DRAWING FOR REFERENCE ONLY

Drawn:	W. Y 2021.4.1
Checked:	T. L 2021.4.1
Approved:	A. M 2021.4.1
Unless Otherwise Specified Dimensions are in Millimeters, Dimensions in [] are in Inches for Customer Reference Only. Unless Otherwise Specified Tolerance are: .XX ±0.13 [.005"] .X ±0.20 [.008"] X ±0.50 [.019"] .X° ±1° X° ±2°	

Title:
**WR42 (UBR220) Right Angle to
2.92mm Female Adaptor, 17.6-26.7
GHz**

Part No:
DWCA42-292FL



View:	
Size:	A3
Scale:	2:1
Sheet:	1/1
Rev:	B

6

5

4

3

2

1