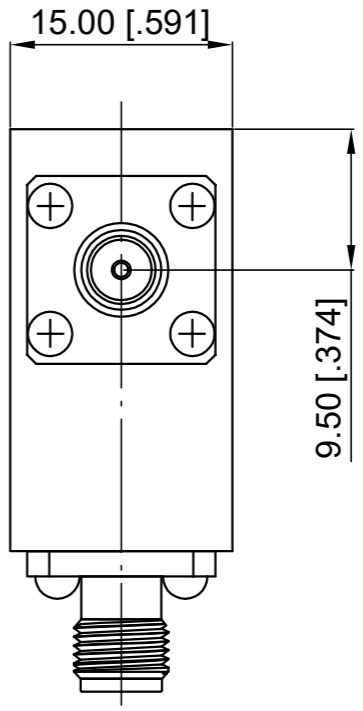
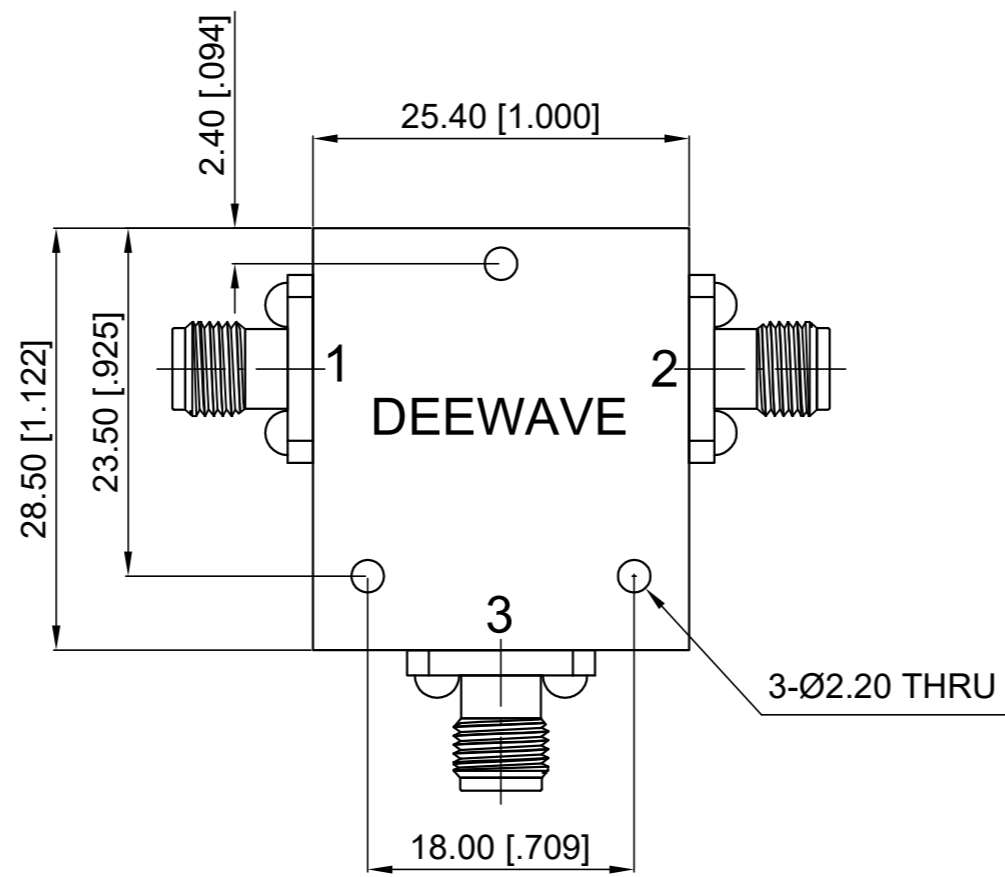


**ELECTRICAL SPECIFICATIONS**

Frequency Range: 2-2.3 GHz  
 Impedance: 50 Ohm  
 Insertion Loss: 0.50 dB max.  
 Isolation: 20 dB min.  
 VSWR: 1.25 max.  
 Forward Power: 100W  
 Direction: Clockwise

Revisions			
Rev	Description	Date	Approved:
A	Initial Release	2020.1.24	A. M



- NOTES:
1. ALL SPECIFICATIONS ARE SUBJECT TO CHANGE WITHOUT NOTICE AT ANY TIME
  2. CUSTOMER OUTLINE DRAWING FOR REFERENCE ONLY

Drawn:	W. Y 2020.1.24
Checked:	T. L 2020.1.24
Approved:	A. M 2020.1.24
Unless Otherwise Specified Dimensions are in Millimeters, Dimensions in [ ] are in Inches for Customer Reference Only. Unless Otherwise Specified Tolerance are: .XX ±0.13 [.005"]    .X ±0.20 [.008"]    X ±0.50 [.019"] .X° ±1°                    X° ±2°	

Title:	SMA Female Circulator Freq 2-2.3 GHz
Part No:	DCC200230



View:	
Size:	A3
Scale:	2:1
Sheet:	1/1
Rev:	A