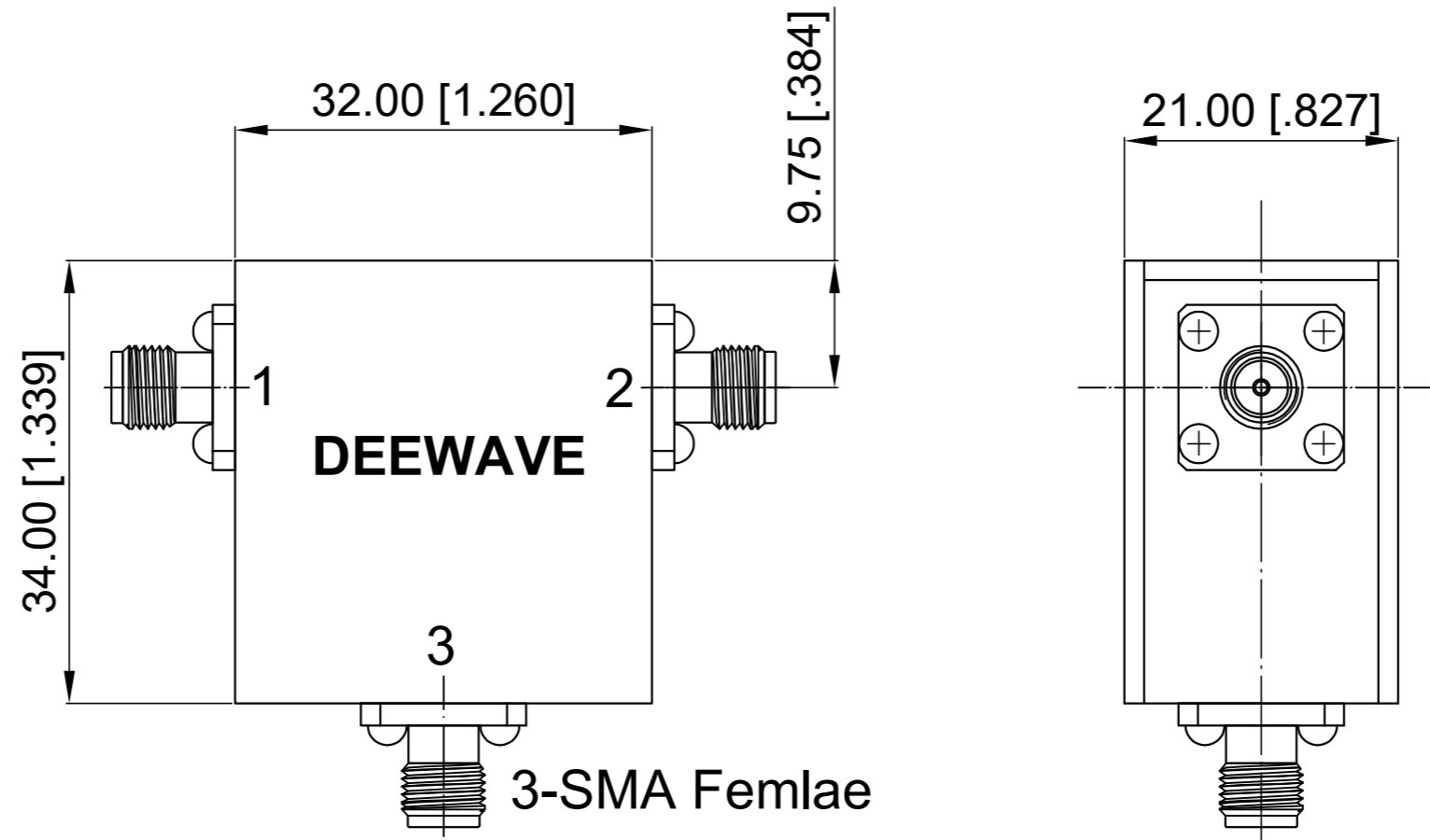


ELECTRICAL SPECIFICATIONS

Frequency Range: 3-4 GHz
 Impedance: 50 Ohm
 Insertion Loss: 0.50 dB max.
 Isolation: 18 dB min.
 VSWR: 1.30 max.
 Forward Power: 50 W
 Direction: Clockwise

Revisions			
Rev	Description	Date	Approved:
A	Initial Release	2018.10.26	A. M



NOTES:
 1. ALL SPECIFICATIONS ARE SUBJECT TO CHANGE WITHOUT NOTICE AT ANY TIME
 2. CUSTOMER OUTLINE DRAWING FOR REFERENCE ONLY

Drawn:	W. Y 2018.10.26
Checked:	T. L 2018.10.26
Approved:	A. M 2018.10.26
Unless Otherwise Specified Dimensions are in Millimeters, Dimensions in [] are in Inches for Customer Reference Only. Unless Otherwise Specified Tolerance are: .XX ±0.13 [.005"] .X ±0.20 [.008"] X ±0.50 [.019"] .X° ±1° X° ±2°	

Title:	SMA Female Circulator Freq 3-4 GHz
Part No:	DCC300400

DEEWAVE
www.deewave.com

View:

Size:	Scale:	Sheet:	Rev:
A3	1:1	1/1	A