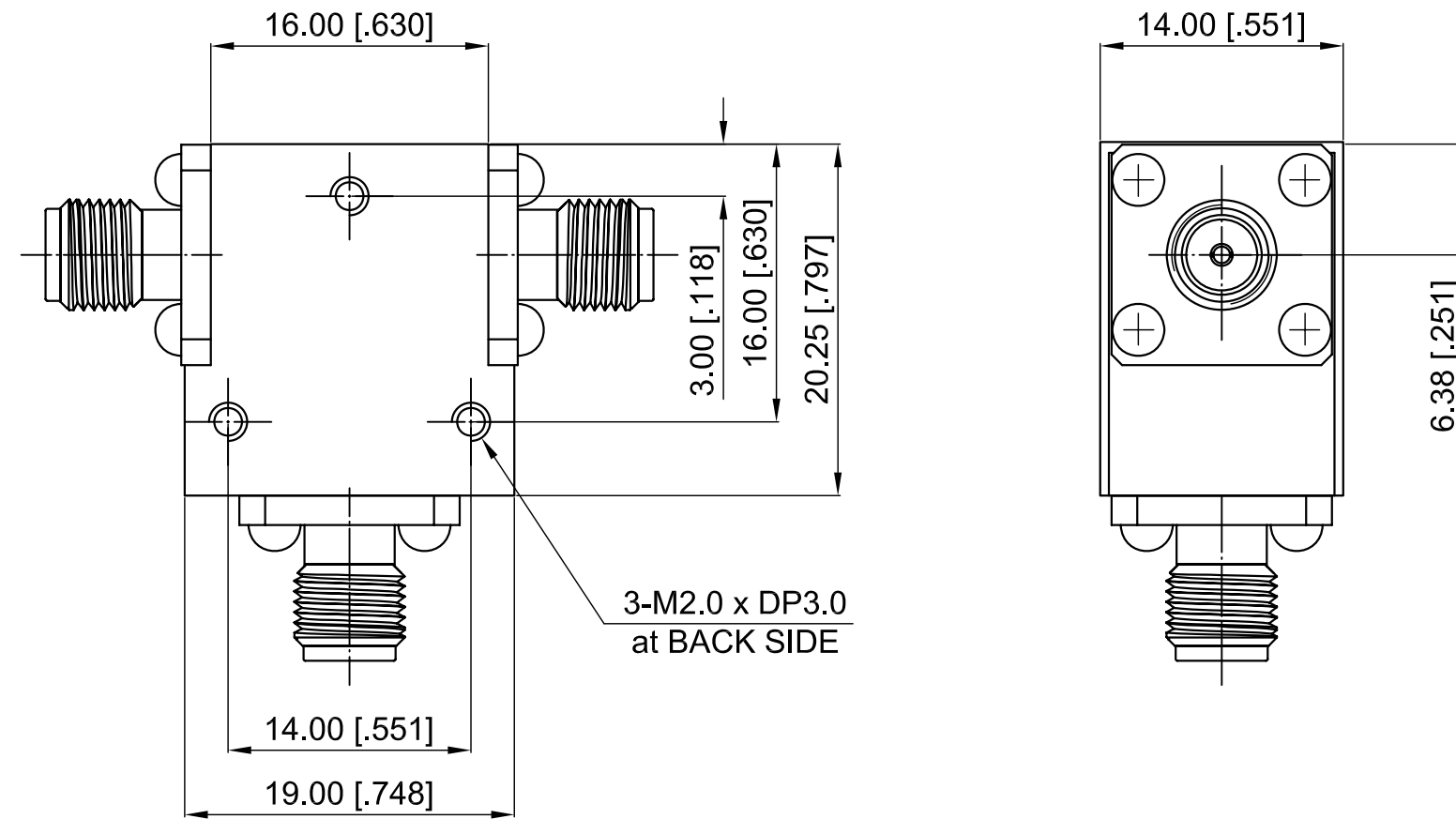


# ELECTRICAL SPECIFICATIONS

Frequency Range: 8-18 GHz  
 Impedance: 50 Ohm  
 Insertion Loss: 1.0 dB max.  
 Isolation: 14 dB min.  
 VSWR: 1.50 max.  
 Forward Power: 30 W  
 Direction: Clockwise

Revisions			
Rev	Description	Date	Approved:
A	Initial Release	2016.8.17	A. M



NOTES:

1. ALL SPECIFICATIONS ARE SUBJECT TO CHANGE WITHOUT NOTICE AT ANY TIME
2. CUSTOMER OUTLINE DRAWING FOR REFERENCE ONLY

Drawn:	W. Y 2016.8.17
Checked:	T. L 2016.8.17
Approved:	A. M 2016.8.17
Unless Otherwise Specified Dimensions are in Millimeters, Dimensions in [ ] are in Inches for Customer Reference Only. Unless Otherwise Specified Tolerance are: .XX ±0.13 [0.005"] .X ±0.20 [0.008"] X ±0.50 [0.019"] .X° ±1° X° ±2°	

Title:	SMA Female Circulator Freq 8-18 GHz
Part No:	DCC8001800B



View:	
Size:	A3
Scale:	2.5:1
Sheet:	1/1
Rev:	A