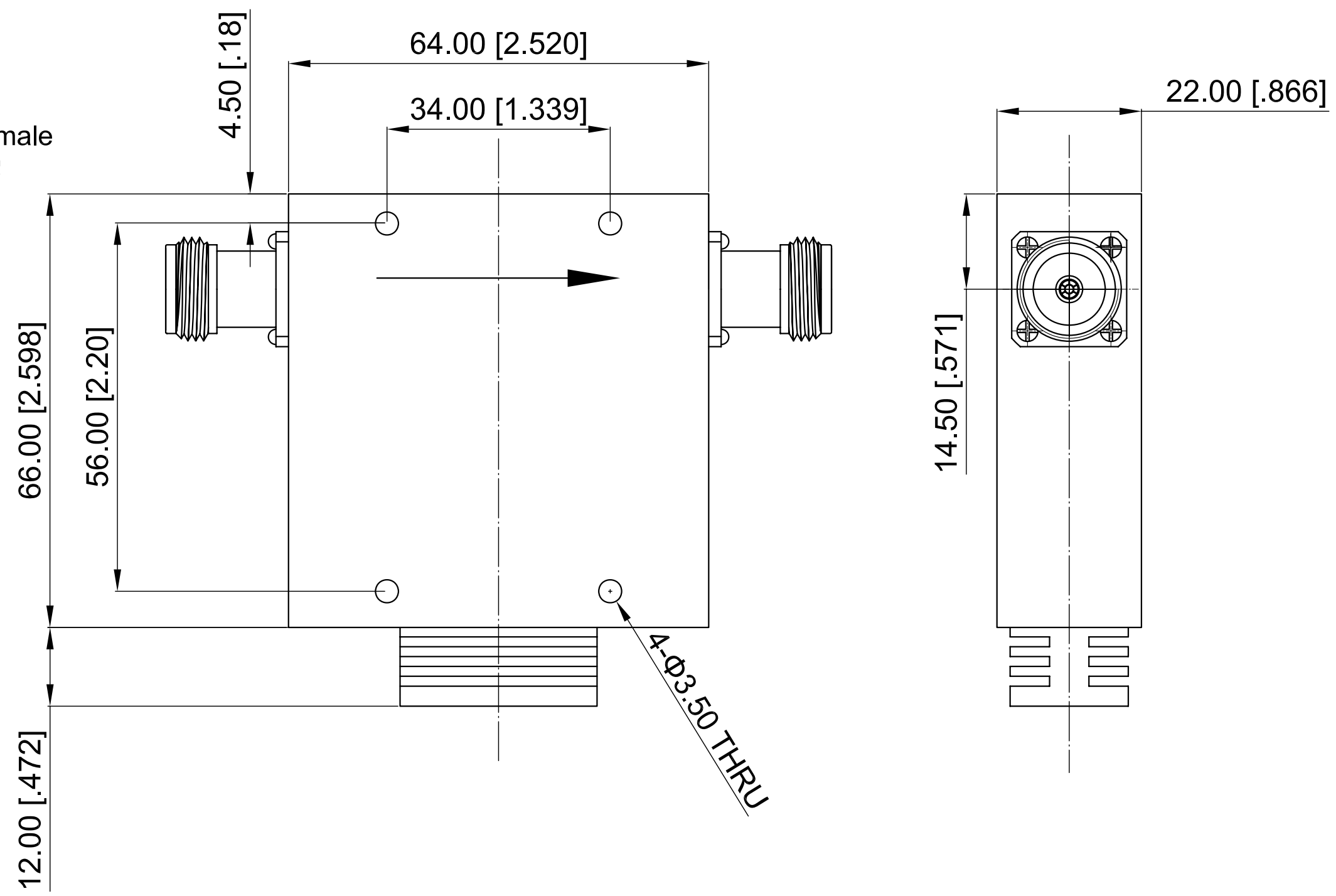


Product Model: Coaxial Isolator
 Frequency Range: 140-150MHz
 Insertion Loss : 0.70 dB Max.
 Isolation : 20 dB Min.
 VSWR: 1.25 Max.
 Forward Power: 60W
 Reserve Power: 60W
 Connector Type: N Female
 Temp Range: 0~+55°C

Revisions			
Rev	Description	Date	Approved:
A	Initial Release	2014.5.6	A. M



NOTES:
 1. ALL SPECIFICATIONS ARE SUBJECT TO CHANGE WITHOUT NOTICE AT ANY TIME
 2. CUSTOMER OUTLINE DRAWING FOR REFERENCE ONLY

Drawn:	W. Y 2014.5.6
Checked:	T. L 2014.5.6
Approved:	A. M 2014.5.6
Unless Otherwise Specified Dimensions are in Millimeters, Dimensions in [] are in Inches for Customer Reference Only. Unless Otherwise Specified Tolerance are: .XX ±0.13 [.005"] .X ±0.20 [.008"] X ±0.50 [.019"] .X° ±1° X° ±2°	

Title:	Coaxial Isolator Freq 140-150MHz
Part No:	DCI014015

DEEWAVE
www.deewave.com

View:

Size:	Scale:	Sheet:	Rev:
A3	1:1	1/1	A