

ELECTRICAL SPECIFICATIONS

Frequency Range: 12.7-14.9 GHz

Impedance: 50 Ohm

Insertion Loss: 0.6 dB max.

Isolation: 18 dB min.

VSWR: 1.35 max.

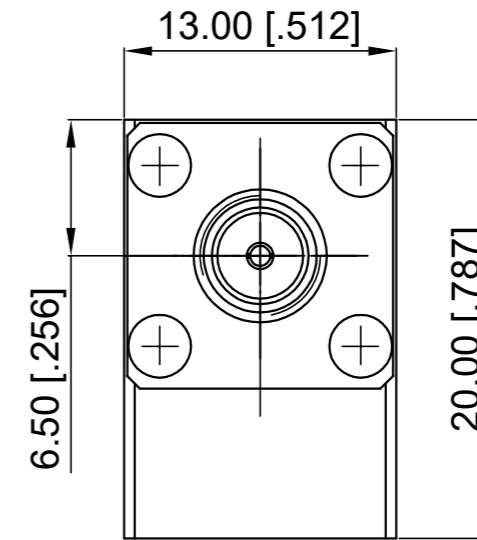
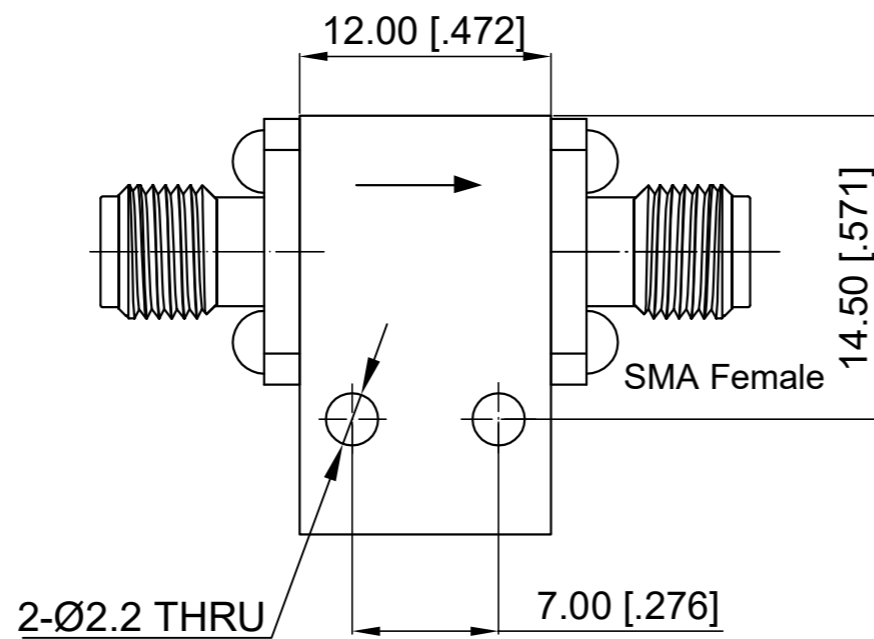
Forward Power: 20 W

Reserve Power: 5 W

Direction: Clockwise

Operation Temp.: -20~+70°C

Revisions			
Rev	Description	Date	Approved:
A	Initial Release	2022.11.21	A. M
B	Specs Updated	2023.12.28	A. M




NOTES:


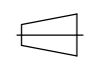
1. ALL SPECIFICATIONS ARE SUBJECT TO CHANGE WITHOUT NOTICE AT ANY TIME
2. CUSTOMER OUTLINE DRAWING FOR REFERENCE ONLY

Drawn:	W. Y 2023.12.28
Checked:	T. L 2023.12.28
Approved:	A. M 2023.12.28
Unless Otherwise Specified Dimensions are in Millimeters, Dimensions in [] are in Inches for Customer Reference Only. Unless Otherwise Specified Tolerance are: .XX ±0.13 [.005"] .X ±0.20 [.008"] X ±0.50 [.019"] .X° ±1° X° ±2°	

Title:	SMA Female Isolator Freq 12.7-14.9 GHz
Part No:	

DEEWAVE 

www.deewave.com

View:  

Size:	Scale:	Sheet:	Rev:
A3	4:1	1/1	B