

6

5

4

3

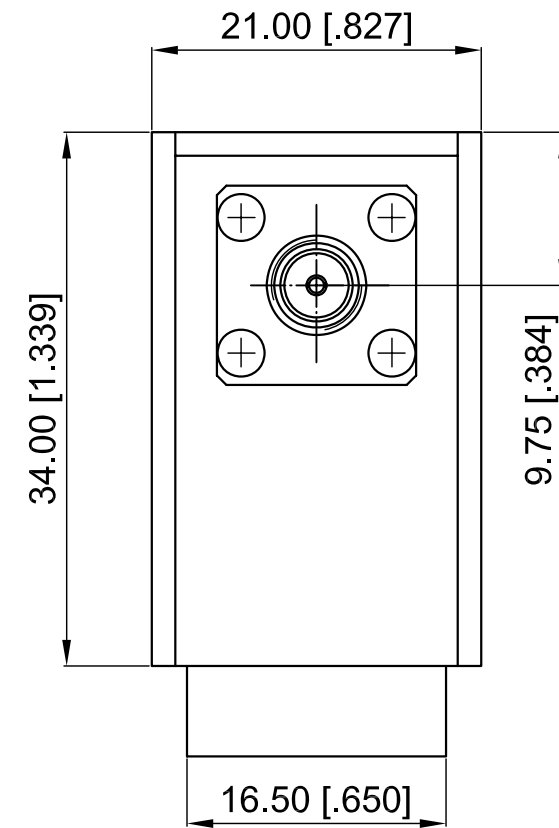
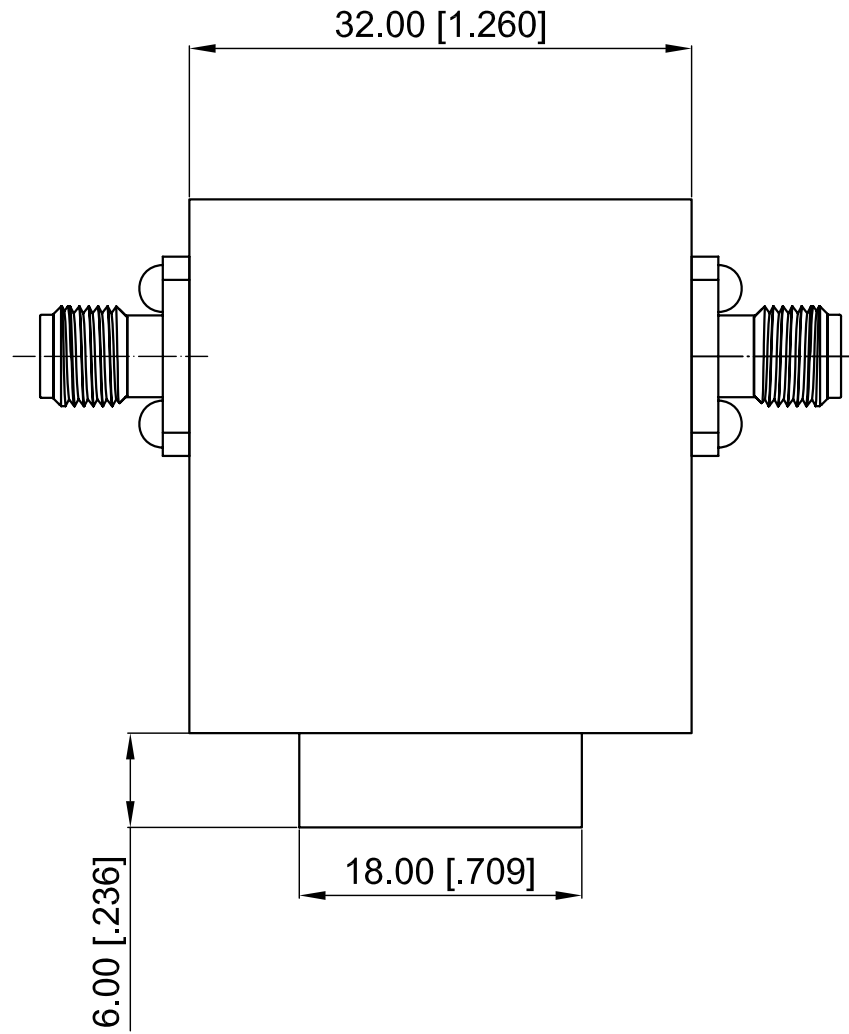
2

1

ELECTRICAL SPECIFICATIONS

Frequency Range: 2.3-3 GHz
 Impedance: 50 Ohm
 Insertion Loss: 0.5 dB max.
 Isolation: 18 dB min.
 VSWR: 1.30 max.
 Forward Power: 50 W
 Reserve Power: 20 W
 Direction: Clockwise

Revisions			
Rev	Description	Date	Approved:
A	Initial Release	2016.2.2	A. M



NOTES:

1. ALL SPECIFICATIONS ARE SUBJECT TO CHANGE WITHOUT NOTICE AT ANY TIME
2. CUSTOMER OUTLINE DRAWING FOR REFERENCE ONLY

Drawn:	W. Y 2016.2.2
Checked:	T. L 2016.2.2
Approved:	A. M 2016.2.2
Unless Otherwise Specified Dimensions are in Millimeters, Dimensions in [] are in Inches for Customer Reference Only. Unless Otherwise Specified Tolerance are: .XX ±0.13 [.005"] .X ±0.20 [.008"] X ±0.50 [.019"] .X° ±1° X° ±2°	

Title:	SMA Female Isolator Freq 2.3-3 GHz
Part No:	DCI230300



View:	
Size:	A3
Scale:	4:1
Sheet:	1/1
Rev:	A

6

5

4

3

2

1