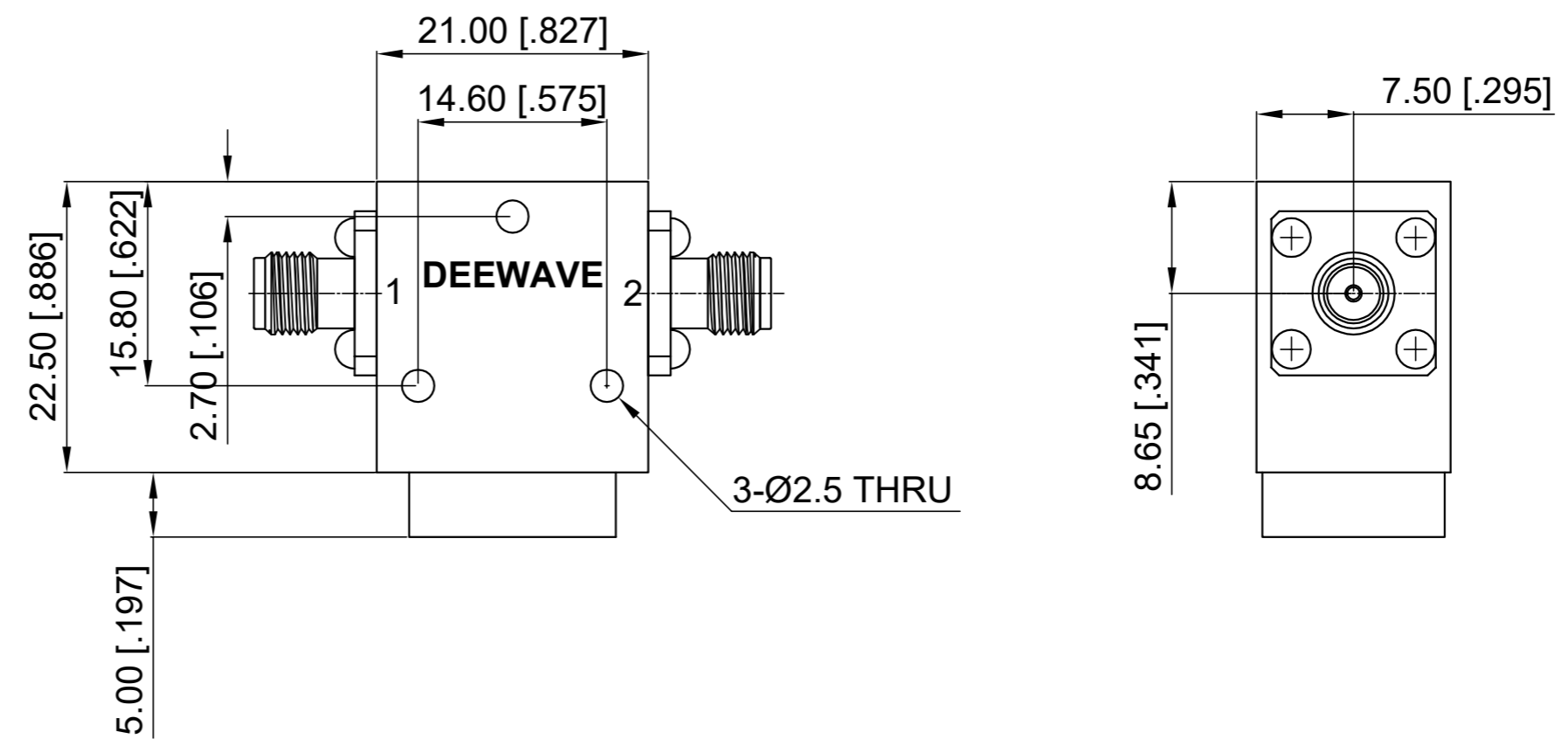


**ELECTRICAL SPECIFICATIONS**

Frequency Range: 5.8-7.2 GHz  
 Impedance: 50 Ohm  
 Insertion Loss: 0.50 dB max.  
 Isolation: 18 dB min.  
 VSWR: 1.30 max.  
 Forward Power: 30W  
 Reverse Power: 10W  
 Direction: Clockwise  
 Operation Temp.: 0~+60°C

Revisions			
Rev	Description	Date	Approved:
A	Initial Release	2023.12.28	A. M



NOTES:  
 1. ALL SPECIFICATIONS ARE SUBJECT TO CHANGE WITHOUT NOTICE AT ANY TIME  
 2. CUSTOMER OUTLINE DRAWING FOR REFERENCE ONLY

Drawn:	W. Y 2023.12.28
Checked:	T. L 2023.12.28
Approved:	A. M 2023.12.28
Unless Otherwise Specified Dimensions are in Millimeters, Dimensions in [ ] are in Inches for Customer Reference Only. Unless Otherwise Specified Tolerance are: .XX ±0.13 [0.005"] .X ±0.20 [0.008"] X ±0.50 [0.019"] .X° ±1° X° ±2°	

Title:	SMA Female Isolator Freq 5.8-7.2 GHz
Part No:	DCI580720

**DEEWAVE**  
[www.deewave.com](http://www.deewave.com)

View:

Size:	Scale:	Sheet:	Rev:
A3	1:1	1/1	A