

ELECTRICAL SPECIFICATIONS

Frequency Range: 6-12 GHz

Impedance: 50 Ohm

Insertion Loss: 0.45 dB max.

Isolation: 18 dB min.

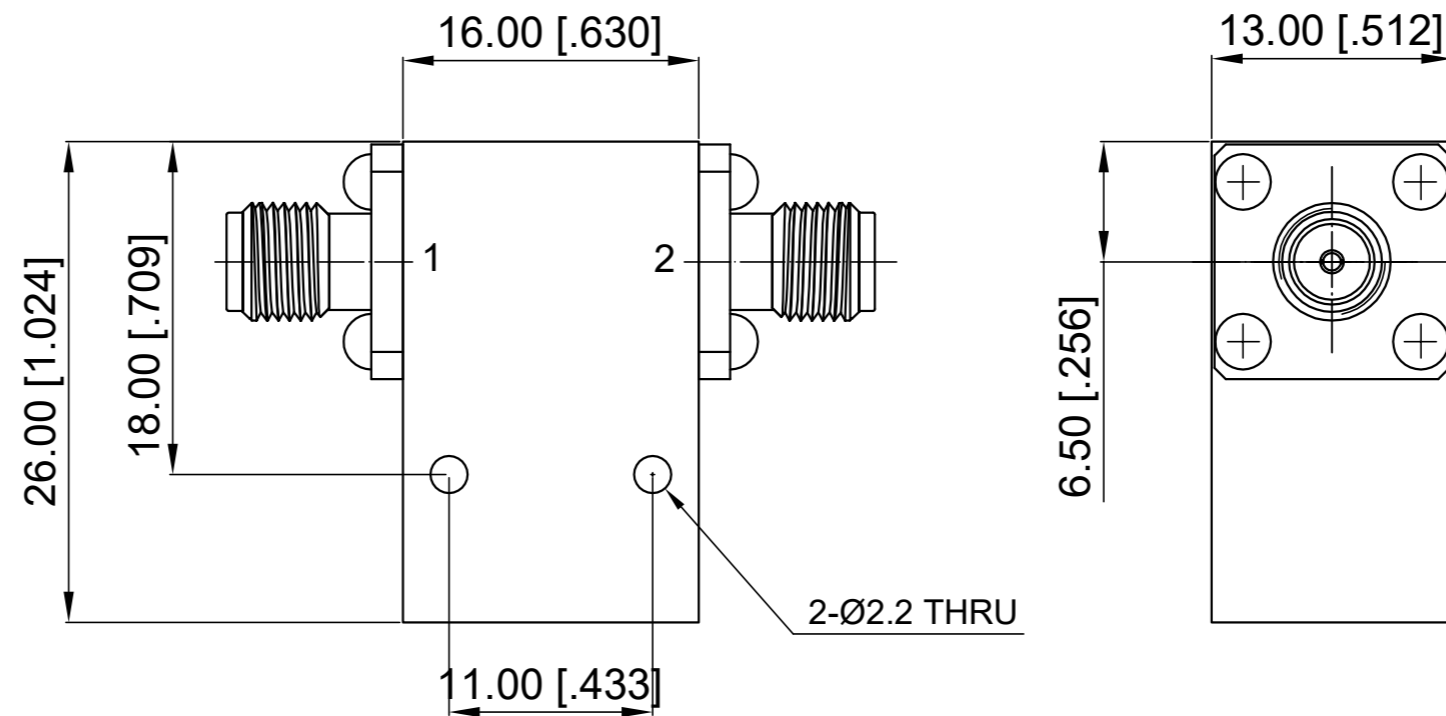
VSWR: 1.30 max.

Forward Power: 10 W

Reverse Power: 2 W

Operation Temp.: -30~+70°C (0.5dB / 16dB / 1.40)

Revisions			
Rev	Description	Date	Approved:
A	Initial Release	2015.07.02	A. M
B	Outline Updated	2024.10.8	A. M



NOTES:

- ALL SPECIFICATIONS ARE SUBJECT TO CHANGE WITHOUT NOTICE AT ANY TIME
- CUSTOMER OUTLINE DRAWING FOR REFERENCE ONLY

Drawn:	W. Y 2024.10.8
Checked:	T. L 2024.10.8
Approved:	A. M 2024.10.8
Unless Otherwise Specified Dimensions are in Millimeters, Dimensions in [] are in Inches for Customer Reference Only. Unless Otherwise Specified Tolerance are: .XX ±0.13 [0.005"] .X ±0.20 [0.008"] X ±0.50 [0.019"] .X° ±1° X° ±2°	

Title:	SMA Female Isolator Freq 6-12 GHz
Part No:	DCI6001200B

DEEWAVE
www.deewave.com

View:

Size: A3	Scale: 4:1	Sheet: 1/1	Rev: B
----------	------------	------------	--------