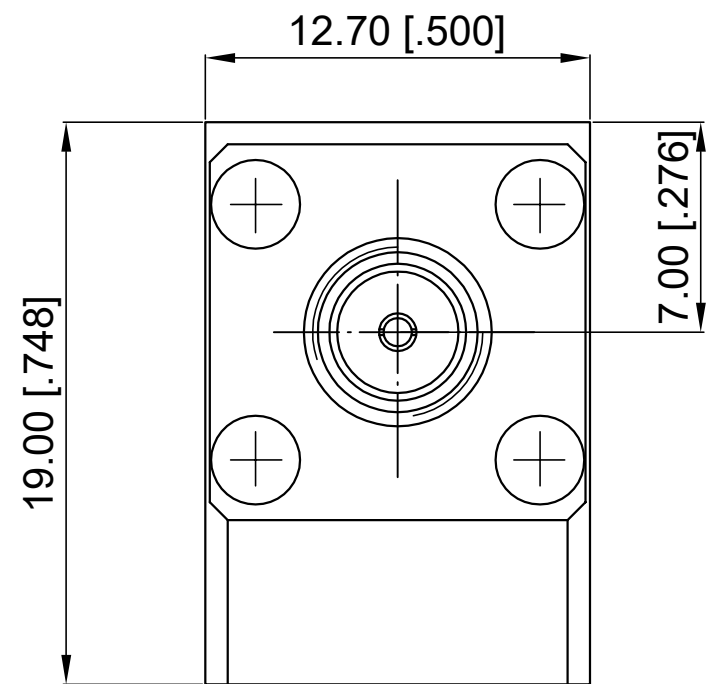
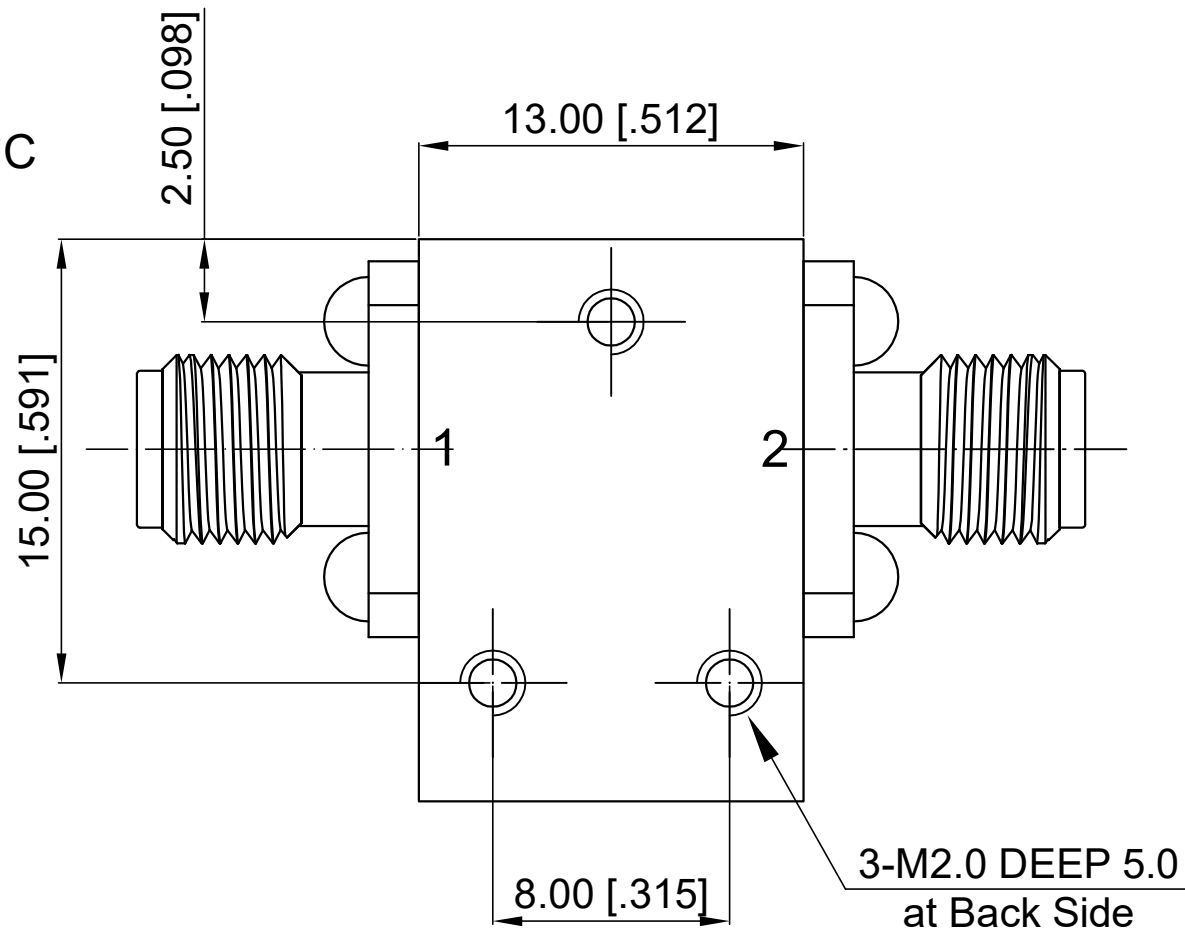


ELECTRICAL SPECIFICATIONS

Frequency Range: 7.8-8.6 GHz
 Impedance: 50 Ohm
 Insertion Loss: 0.40 dB max.
 Isolation: 23 dB min.
 VSWR: 1.20 max.
 Forward Power: 30 W
 Reserve Power: 5 W
 Direction: Clockwise
 Operation Temp.: -30~+75°C

Revisions			
Rev	Description	Date	Approved:
A	Initial Release	2016.2.2	A. M



- NOTES:
1. ALL SPECIFICATIONS ARE SUBJECT TO CHANGE WITHOUT NOTICE AT ANY TIME
 2. CUSTOMER OUTLINE DRAWING FOR REFERENCE ONLY

Drawn:	W. Y 2016.2.2
Checked:	T. L 2016.2.2
Approved:	A. M 2016.2.2
Unless Otherwise Specified Dimensions are in Millimeters, Dimensions in [] are in Inches for Customer Reference Only. Unless Otherwise Specified Tolerance are: .XX ±0.13 [0.005"] .X ±0.20 [0.008"] X ±0.50 [0.019"] .X° ±1° X° ±2°	

Title:	SMA Female Isolator Freq 7.8-8.6 GHz
Part No:	DCI780860



View:	
Size:	A3
Scale:	4:1
Sheet:	1/1
Rev:	A