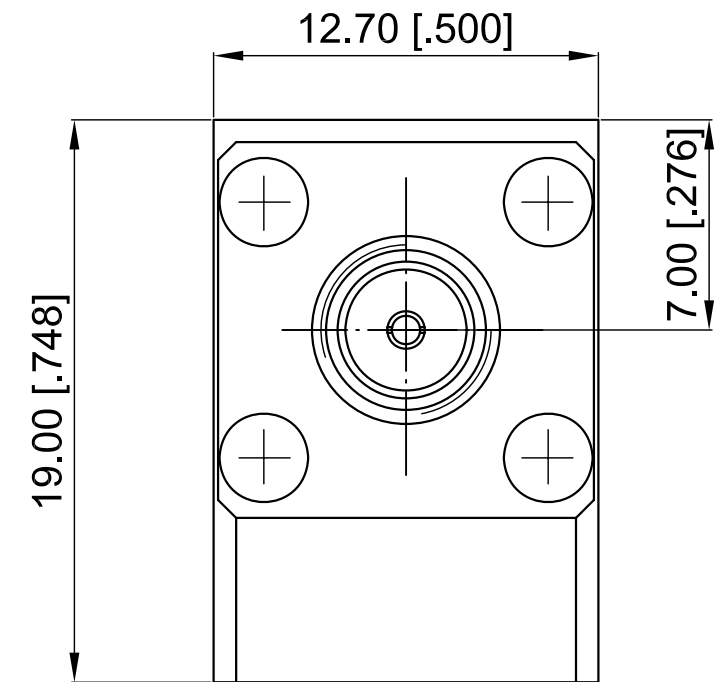
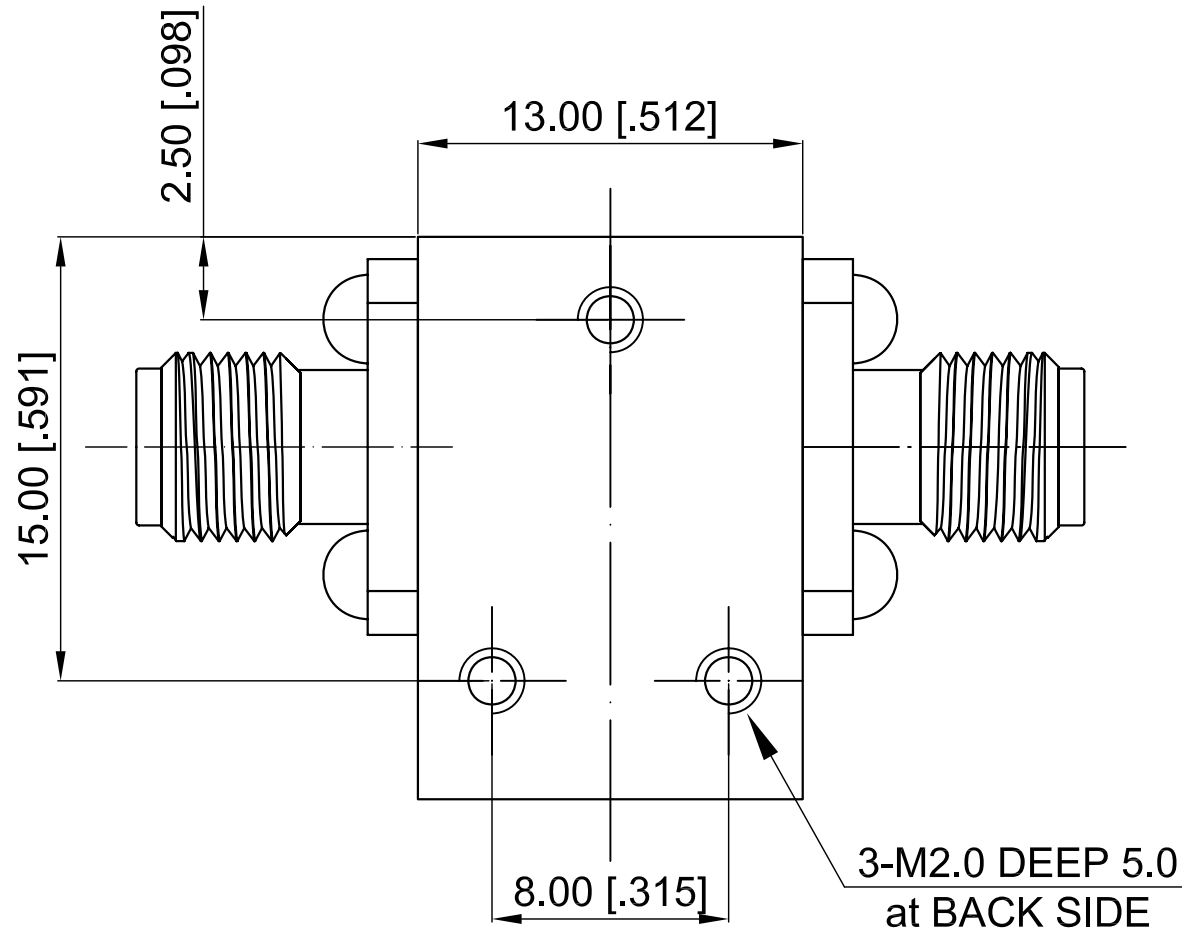


ELECTRICAL SPECIFICATIONS

Frequency Range: 8.7-10.4 GHz
 Impedance: 50 Ohm
 Insertion Loss: 0.40 dB max.
 Isolation: 20 dB min.
 VSWR: 1.25 max.
 Forward Power: 20 W
 Reserve Power: 5 W
 Direction: Clockwise

Revisions			
Rev	Description	Date	Approved:
A	Initial Release	2017.1.10	A. M



NOTES:

1. ALL SPECIFICATIONS ARE SUBJECT TO CHANGE WITHOUT NOTICE AT ANY TIME
2. CUSTOMER OUTLINE DRAWING FOR REFERENCE ONLY

Drawn:	W. Y 2017.1.10
Checked:	T. L 2017.1.10
Approved:	A. M 2017.1.10
Unless Otherwise Specified Dimensions are in Millimeters, Dimensions in [] are in Inches for Customer Reference Only. Unless Otherwise Specified Tolerance are: .XX ±0.13 [.005"] .X ±0.20 [.008"] X ±0.50 [.019"] .X° ±1° X° ±2°	

Title:	SMA Female Isolator Freq 8.7-10.4 GHz
Part No:	DCI8701040



View:	
Size:	A3
Scale:	4:1
Sheet:	1/1
Rev:	A