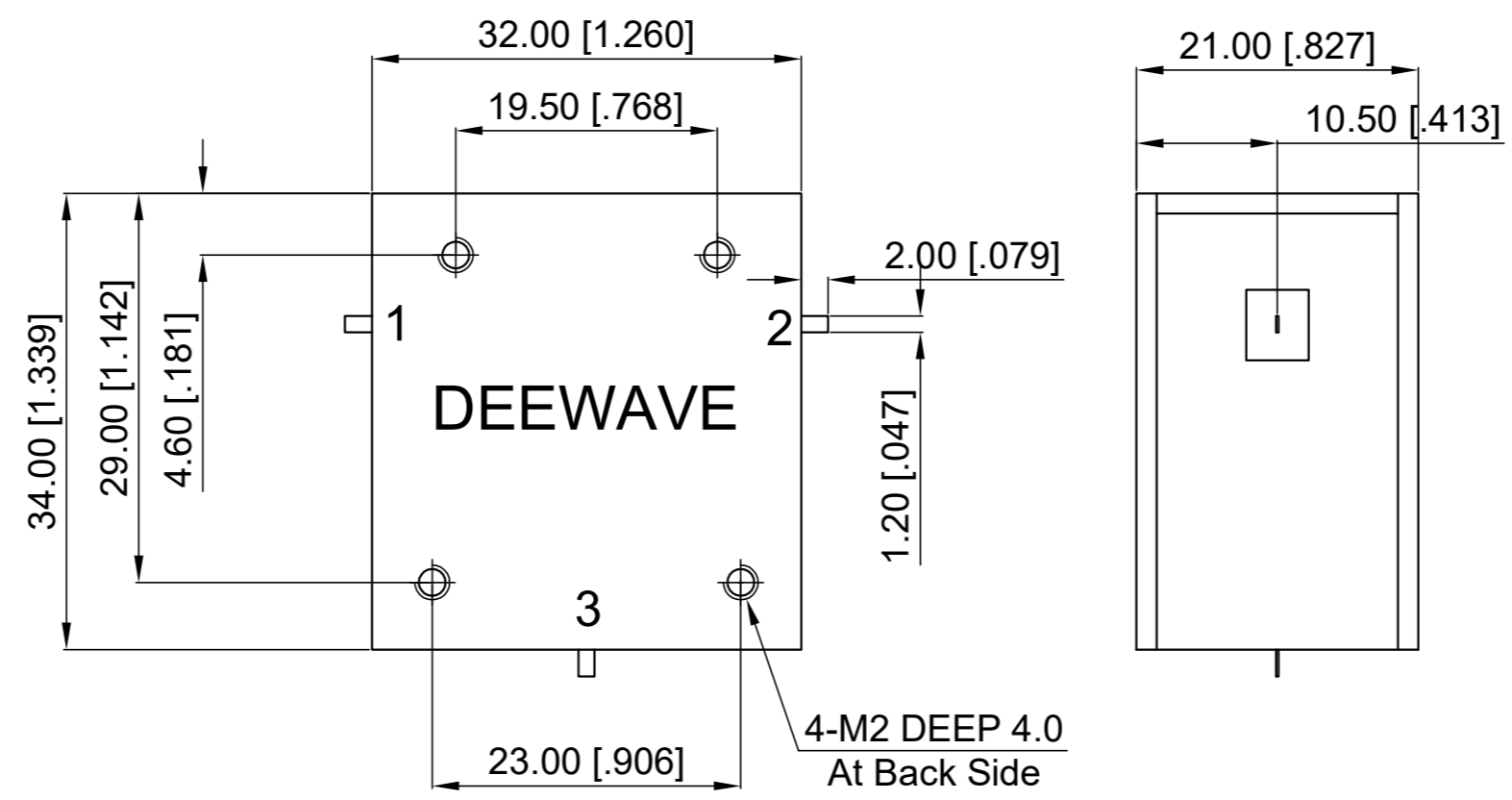


**ELECTRICAL SPECIFICATIONS**

Frequency Range: 2-4 GHz  
 Impedance: 50 Ohm  
 Insertion Loss: 0.60 dB max.  
 Isolation: 17 dB min.  
 VSWR: 1.35 max.  
 Forward Power: 100 W  
 Direction: Clockwise

Revisions			
Rev	Description	Date	Approved:
A	Initial Release	2021.11.16	A. M



NOTES:  
 1. ALL SPECIFICATIONS ARE SUBJECT TO CHANGE WITHOUT NOTICE AT ANY TIME  
 2. CUSTOMER OUTLINE DRAWING FOR REFERENCE ONLY

Drawn:	W. Y 2021.11.16
Checked:	T. L 2021.11.16
Approved:	A. M 2021.11.16
Unless Otherwise Specified Dimensions are in Millimeters, Dimensions in [ ] are in Inches for Customer Reference Only. Unless Otherwise Specified Tolerance are: .XX ±0.13 [.005"] .X ±0.20 [.008"] X ±0.50 [.019"] .X° ±1° X° ±2°	

Title:	Drop-in Circulator Freq 2-4 GHz
Part No:	DDC200400B

**DEEWAVE**  
[www.deewave.com](http://www.deewave.com)

View:

Size:	Scale:	Sheet:	Rev:
A3	1:1	1/1	A