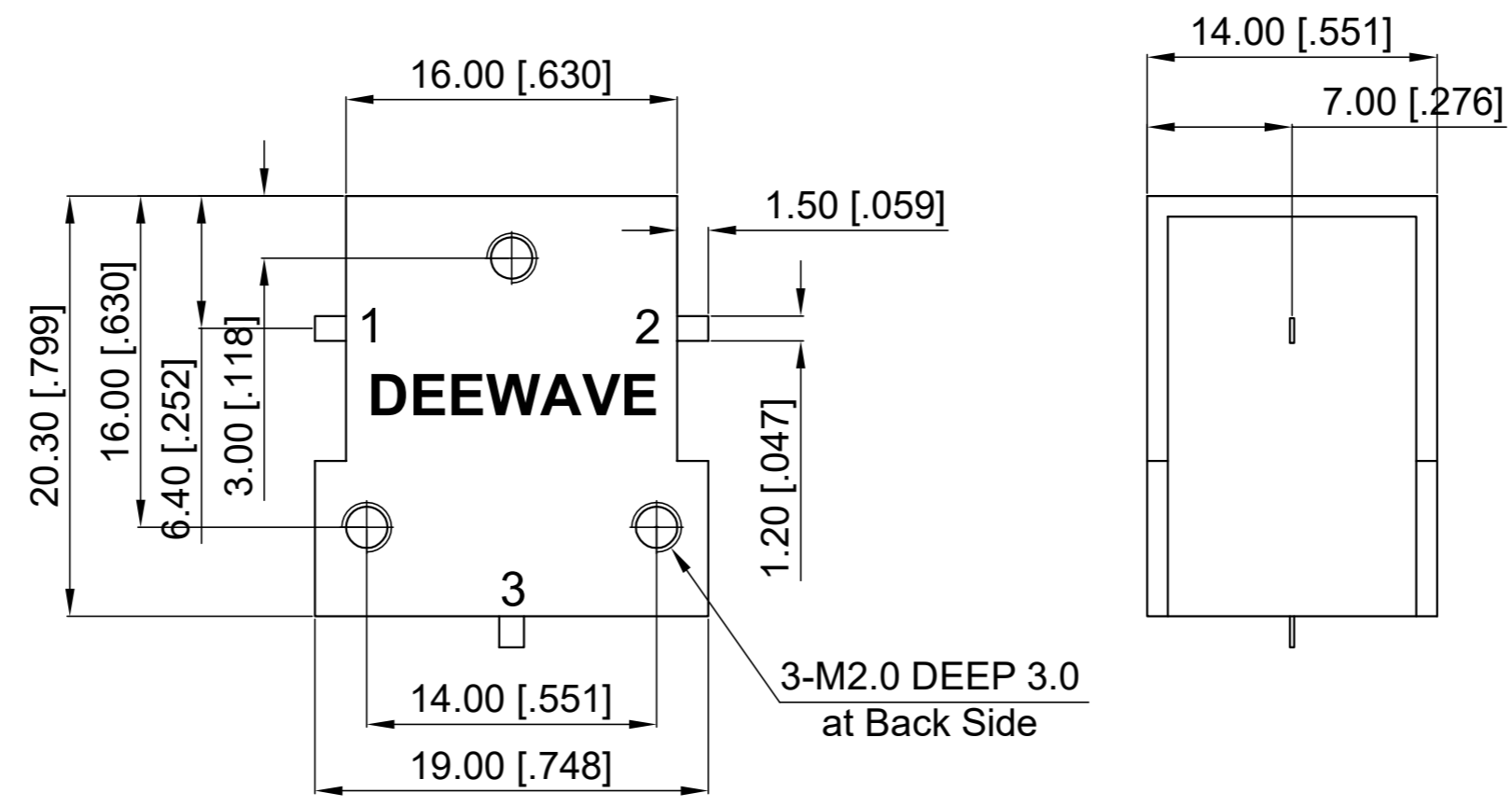


Revisions			
Rev	Description	Date	Approved:
A	Initial Release	2019.10.9	A. M

**ELECTRICAL SPECIFICATIONS**

Frequency Range: 8-18 GHz  
 Insertion Loss: 0.8 dB max.  
 Isolation: 14 dB min.  
 VSWR: 1.50 max.  
 Forward Power: 60W  
 Direction: Clockwise



3-M2.0 DEEP 3.0  
at Back Side

- NOTES:
1. ALL SPECIFICATIONS ARE SUBJECT TO CHANGE WITHOUT NOTICE AT ANY TIME
  2. CUSTOMER OUTLINE DRAWING FOR REFERENCE ONLY

Drawn:	W. Y 2019.10.9
Checked:	T. L 2019.10.9
Approved:	A. M 2019.10.9
Unless Otherwise Specified Dimensions are in Millimeters, Dimensions in [ ] are in Inches for Customer Reference Only. Unless Otherwise Specified Tolerance are: .XX ±0.13 [.005"] .X ±0.20 [.008"] X ±0.50 [.019"] .X° ±1° X° ±2°	

Title:	Drop-in Circulator Freq 8-18 GHz
Part No:	DDC8001800B



View:	
Size:	A3
Scale:	3:1
Sheet:	1/1
Rev:	A