

ELECTRICAL SPECIFICATIONS

Frequency Range: 13.8-17.8 GHz

Impedance: 50 Ohm

Insertion Loss: 1.0 dB max.

Isolation: 36 dB min.

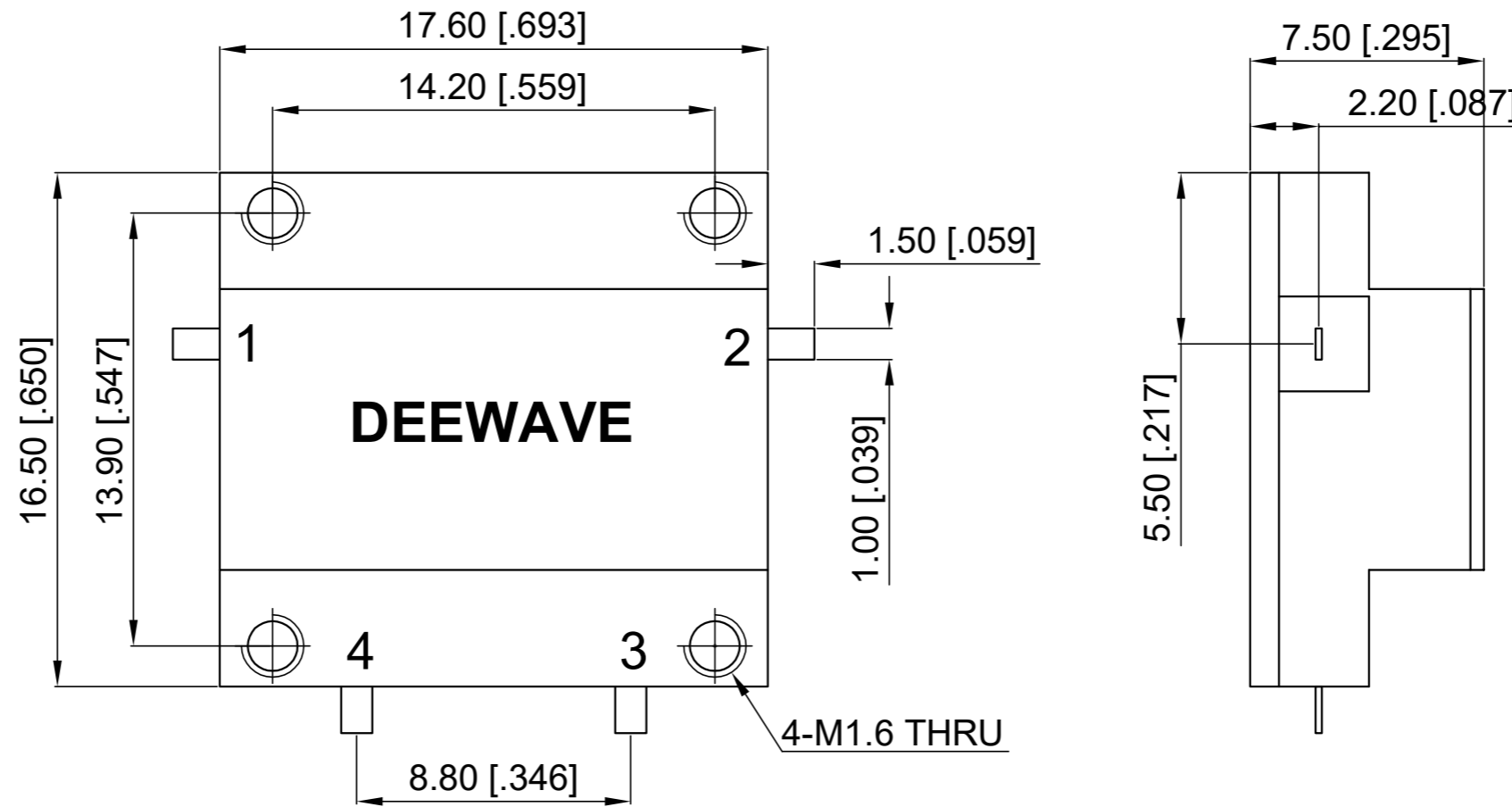
VSWR: 1.30 max.

Forward Power: 30 W

Direction: Clockwise

Operation Temp.: -30~+75°C

Revisions			
Rev	Description	Date	Approved:
A	Initial Release	2021.9.12	A. M



NOTES:

1. ALL SPECIFICATIONS ARE SUBJECT TO CHANGE WITHOUT NOTICE AT ANY TIME
2. CUSTOMER OUTLINE DRAWING FOR REFERENCE ONLY

Drawn:	W. Y 2021.9.12
Checked:	T. L 2021.9.12
Approved:	A. M 2021.9.12
Unless Otherwise Specified Dimensions are in Millimeters, Dimensions in [] are in Inches for Customer Reference Only. Unless Otherwise Specified Tolerance are: .XX ±0.13 [.005"] .X ±0.20 [.008"] X ±0.50 [.019"] .X° ±1° X° ±2°	

Title:	Dual-Junction Drop-in Circulator, Freq 13.8-17.8 GHz
Part No:	DDDC13801780



View:	
Size:	A3
Scale:	4:1
Sheet:	1/1
Rev:	A