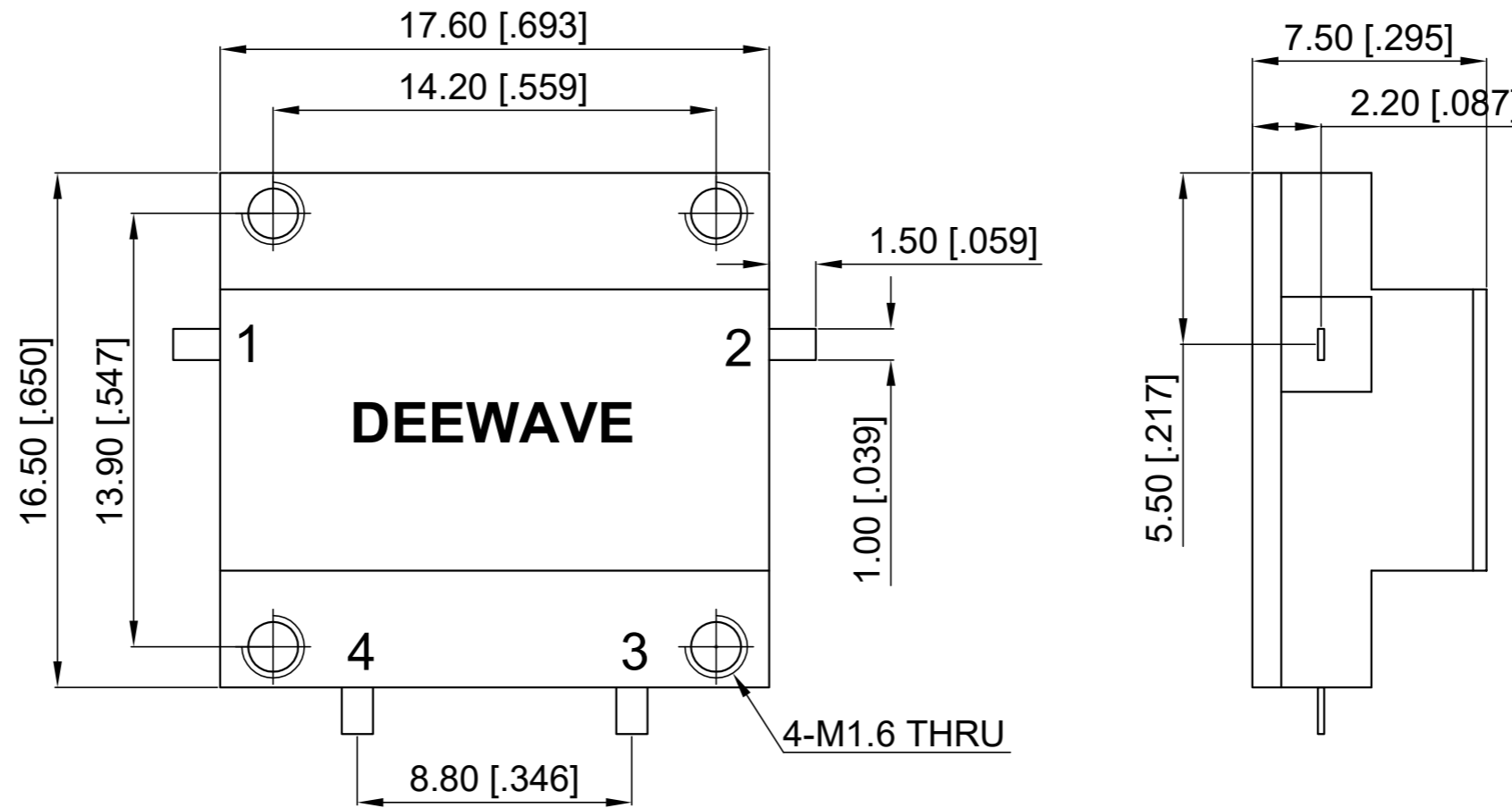


**ELECTRICAL SPECIFICATIONS**

Frequency Range: 9.3-10 GHz  
 Impedance: 50 Ohm  
 Insertion Loss 1→2: 0.7 dB max.  
 Isolation 2→1: 40 dB min.  
 VSWR: 1.25 max.  
 Forward Power: 30 W  
 Direction: Clockwise  
 Operation Temp.: -30~+75°C

Revisions			
Rev	Description	Date	Approved:
A	Initial Release	2021.9.12	A. M



NOTES:

1. ALL SPECIFICATIONS ARE SUBJECT TO CHANGE WITHOUT NOTICE AT ANY TIME
2. CUSTOMER OUTLINE DRAWING FOR REFERENCE ONLY

Drawn:	W. Y 2021.9.12
Checked:	T. L 2021.9.12
Approved:	A. M 2021.9.12
Unless Otherwise Specified Dimensions are in Millimeters, Dimensions in [ ] are in Inches for Customer Reference Only. Unless Otherwise Specified Tolerance are: .XX ±0.13 [0.005"] .X ±0.20 [0.008"] X ±0.50 [0.019"] .X° ±1° X° ±2°	

Title:	Dual-Junction Drop-in Circulator Freq 9.3-10 GHz
Part No:	DDDC9301000



View:	
Size:	A3
Scale:	4:1
Sheet:	1/1
Rev:	A