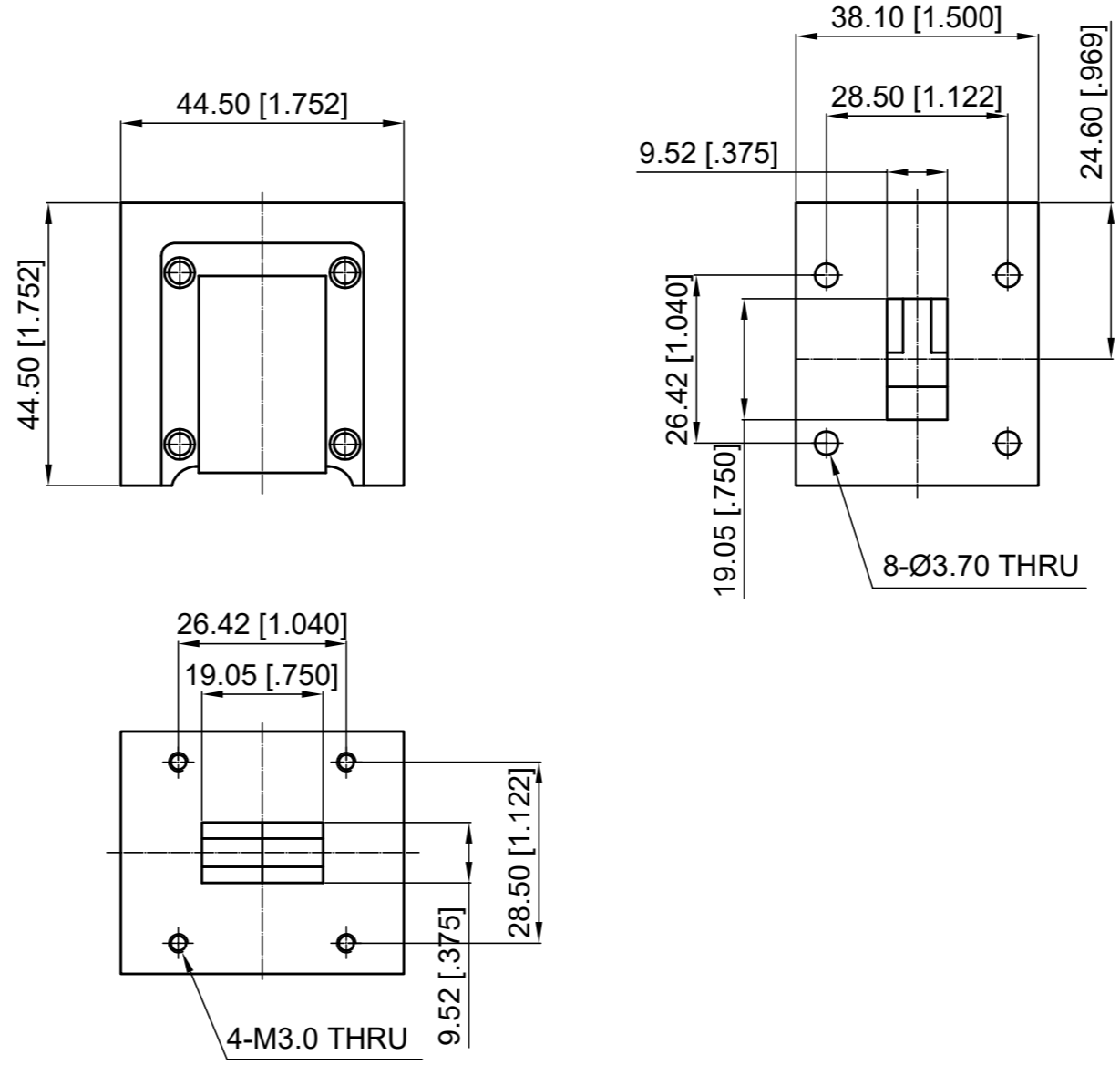


Revisions			
Rev	Description	Date	Approved:
A	Initial Release	2015.4.9	A. M

ELECTRICAL SPECIFICATIONS

Frequency Range: 10-10.7 GHz
 Insertion Loss: 0.25 dB max.
 Isolation: 23 dB min.
 VSWR: 1.15 max.
 Forward Power: 100W
 Waveguide Type: WR75
 Operation Temp: -10~+60 °C



NOTES:
 1. ALL SPECIFICATIONS ARE SUBJECT TO CHANGE WITHOUT NOTICE AT ANY TIME
 2. CUSTOMER OUTLINE DRAWING FOR REFERENCE ONLY

Drawn:	W. Y 2015.4.9
Checked:	T. L 2015.4.9
Approved:	A. M 2015.4.9
Unless Otherwise Specified Dimensions are in Millimeters, Dimensions in [] are in Inches for Customer Reference Only. Unless Otherwise Specified Tolerance are: .XX ±0.13 [.005"] .X ±0.20 [.008"] X ±0.50 [.019"] .X° ±1° X° ±2°	

Title:	WR75 Circulator Freq 10-10.7 GHz
Part No:	DWC75F10107



View:	
Size:	A3
Scale:	1:1
Sheet:	1/1
Rev:	A