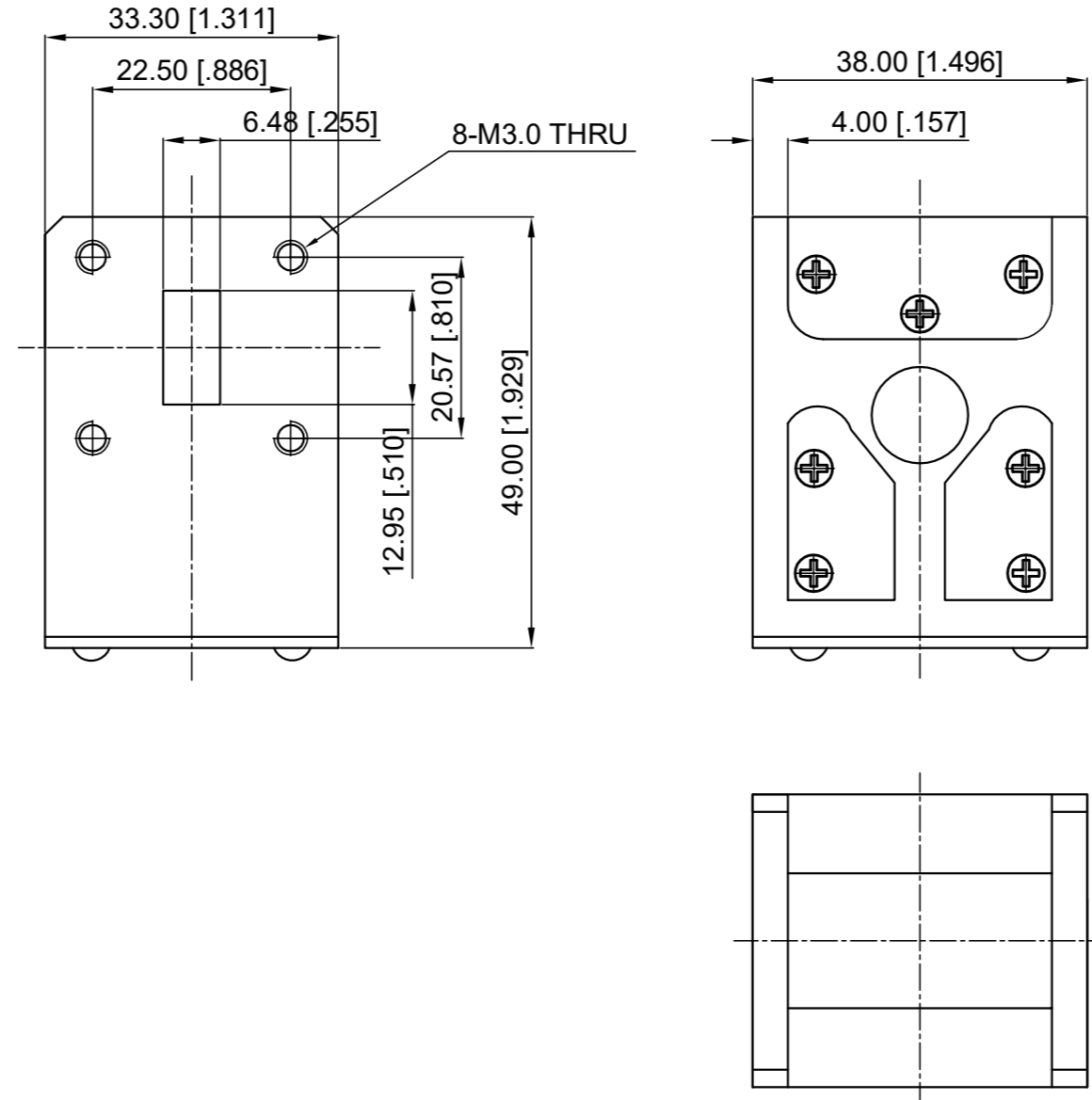


ELECTRICAL SPECIFICATIONS

1. Frequency Range: 15-17 GHz
2. Insertion Loss: 0.30 dB max.
3. Isolation: 20 dB min.
4. VSWR: 1.20 max.
5. Waveguide Type: WR51
6. Direction: Clockwise

Revisions			
Rev	Description	Date	Approved:
A	Initial Release	2019.10.15	A. M



NOTES:

1. ALL SPECIFICATIONS ARE SUBJECT TO CHANGE WITHOUT NOTICE AT ANY TIME
2. CUSTOMER OUTLINE DRAWING FOR REFERENCE ONLY

Drawn:	W. Y 2019.10.15
Checked:	T. L 2019.10.15
Approved:	A. M 2019.10.15
Unless Otherwise Specified Dimensions are in Millimeters, Dimensions in [] are in Inches for Customer Reference Only. Unless Otherwise Specified Tolerance are: .XX ±0.13 [.005"] .X ±0.20 [.008"] X ±0.50 [.019"] .X° ±1° X° ±2°	

Title:	WR51 Isolator Freq 15-17 GHz
Part No:	



View:	
Size:	A3
Scale:	5:4
Sheet:	1/1
Rev:	A