

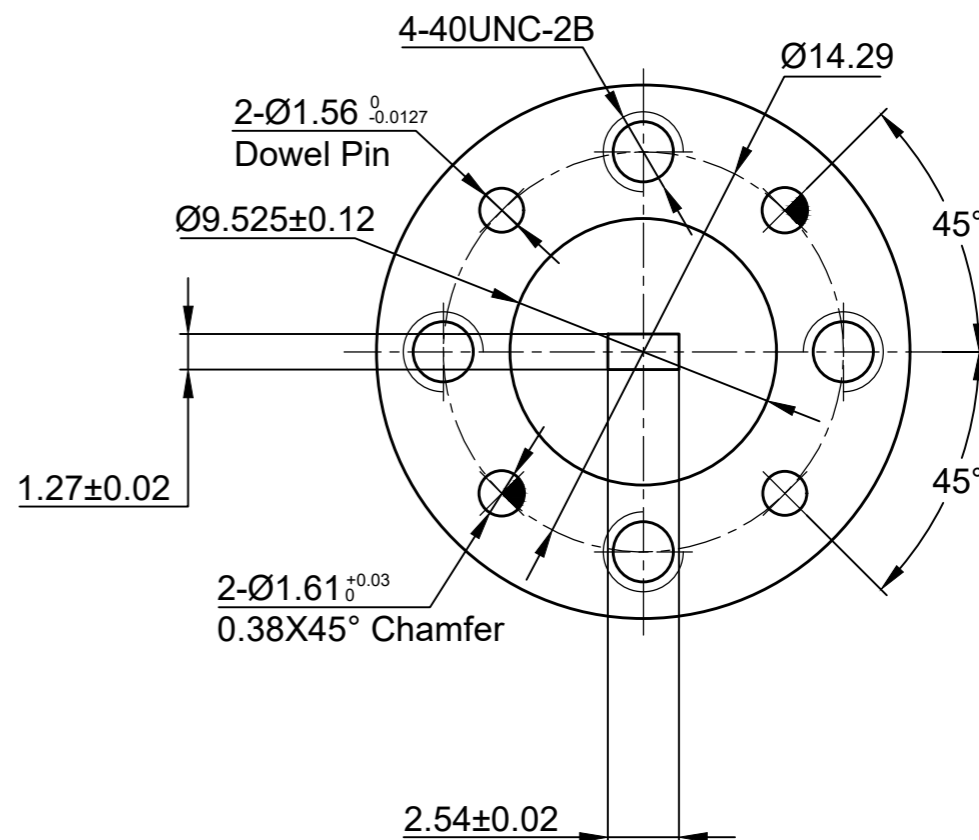
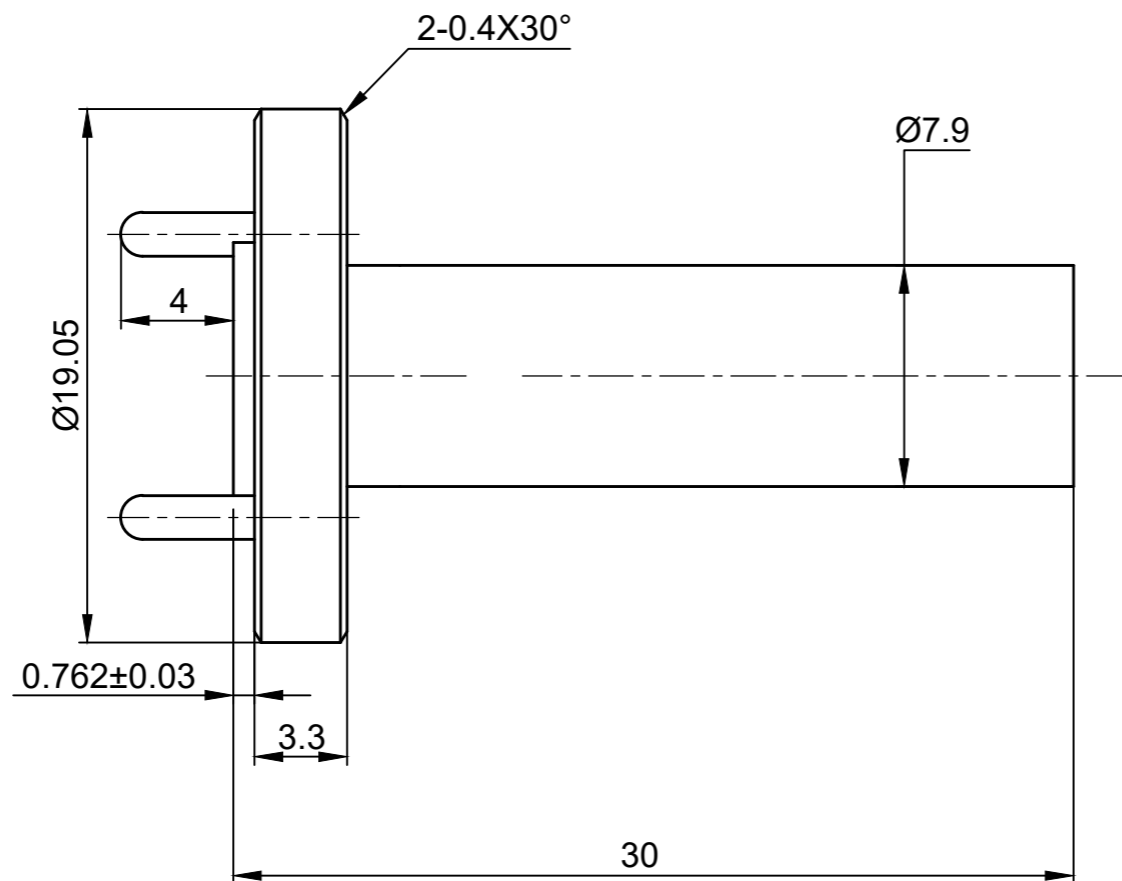
Revisions			
Rev	Description	Date	Approved:
A	Initial Release	2026.4.9	A. M

ELECTRICAL PERFORMANCE

1. Frequency Range: 73.8-110 GHz
2. VSWR: 1.10 max.
3. WG Type: WR10
4. Power: 0.5W

MATERIAL

1. Body: Brass, Gold Plated



NOTES:

1. ALL SPECIFICATIONS ARE SUBJECT TO CHANGE WITHOUT NOTICE AT ANY TIME
2. CUSTOMER OUTLINE DRAWING FOR REFERENCE ONLY

Drawn:	W. Y 2026.4.9
Checked:	T. L 2026.4.9
Approved:	A. M 2026.4.9
Unless Otherwise Specified Dimensions are in Millimeters, Dimensions in [] are in Inches for Customer Reference Only. Unless Otherwise Specified Tolerance are: .XX ±0.13 [.005"] .X ±0.20 [.008"] X ±0.50 [.019"] .X° ±1° X° ±2°	

Title:	WR10 Load Freq 73.8-110 GHz
Part No:	DWL10T



View:	
Size:	A3
Scale:	2:1
Sheet:	1/1
Rev:	A