

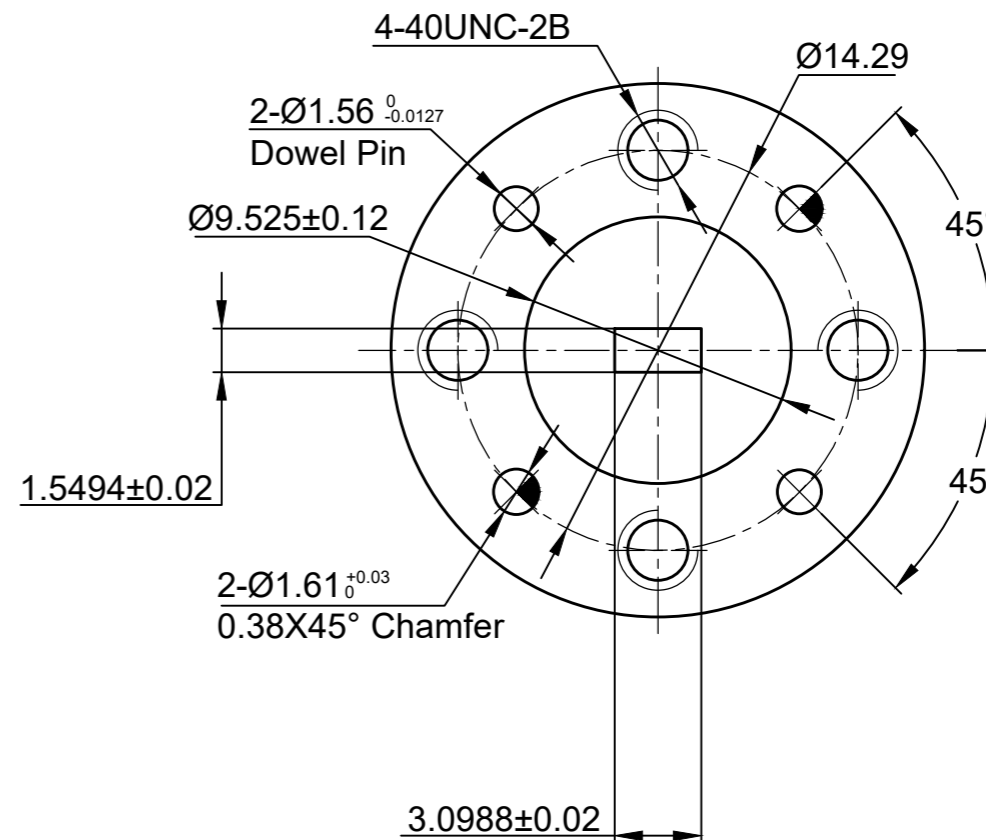
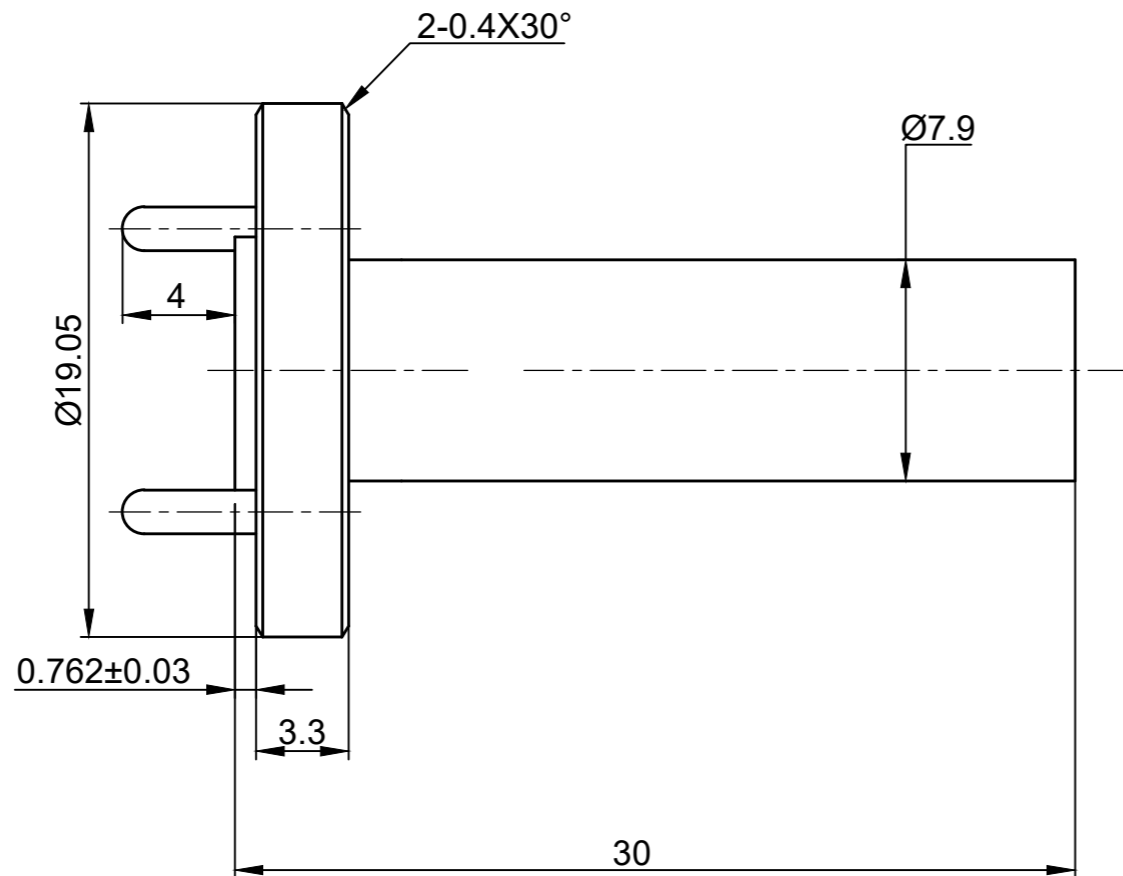
| Revisions | | | |
|-----------|-----------------|----------|-----------|
| Rev | Description | Date | Approved: |
| A | Initial Release | 2026.4.9 | A. M |

ELECTRICAL PERFORMANCE

- 1. Frequency Range: 60.5-91.9 GHz
- 2. VSWR: 1.10 max.
- 3. WG Type: WR12
- 4. Power: 0.5W

MATERIAL

- 1. Body: Brass, Gold Plated



NOTES:

- 1. ALL SPECIFICATIONS ARE SUBJECT TO CHANGE WITHOUT NOTICE AT ANY TIME
- 2. CUSTOMER OUTLINE DRAWING FOR REFERENCE ONLY

| | |
|---|---------------|
| Drawn: | W. Y 2026.4.9 |
| Checked: | T. L 2026.4.9 |
| Approved: | A. M 2026.4.9 |
| Unless Otherwise Specified Dimensions are in Millimeters, Dimensions in [] are in Inches for Customer Reference Only. Unless Otherwise Specified Tolerance are: .XX ±0.13 [.005"] .X ±0.20 [.008"] X ±0.50 [.019"] .X° ±1° X° ±2° | |

| | |
|----------|---------------------------------|
| Title: | WR12 Load Freq 60.5-91.9 GHz |
| Part No: | DWL12T |



| | |
|--------|-----|
| View: | |
| Size: | A3 |
| Scale: | 2:1 |
| Sheet: | 1/1 |
| Rev: | A |