

6

5

4

3

2

1

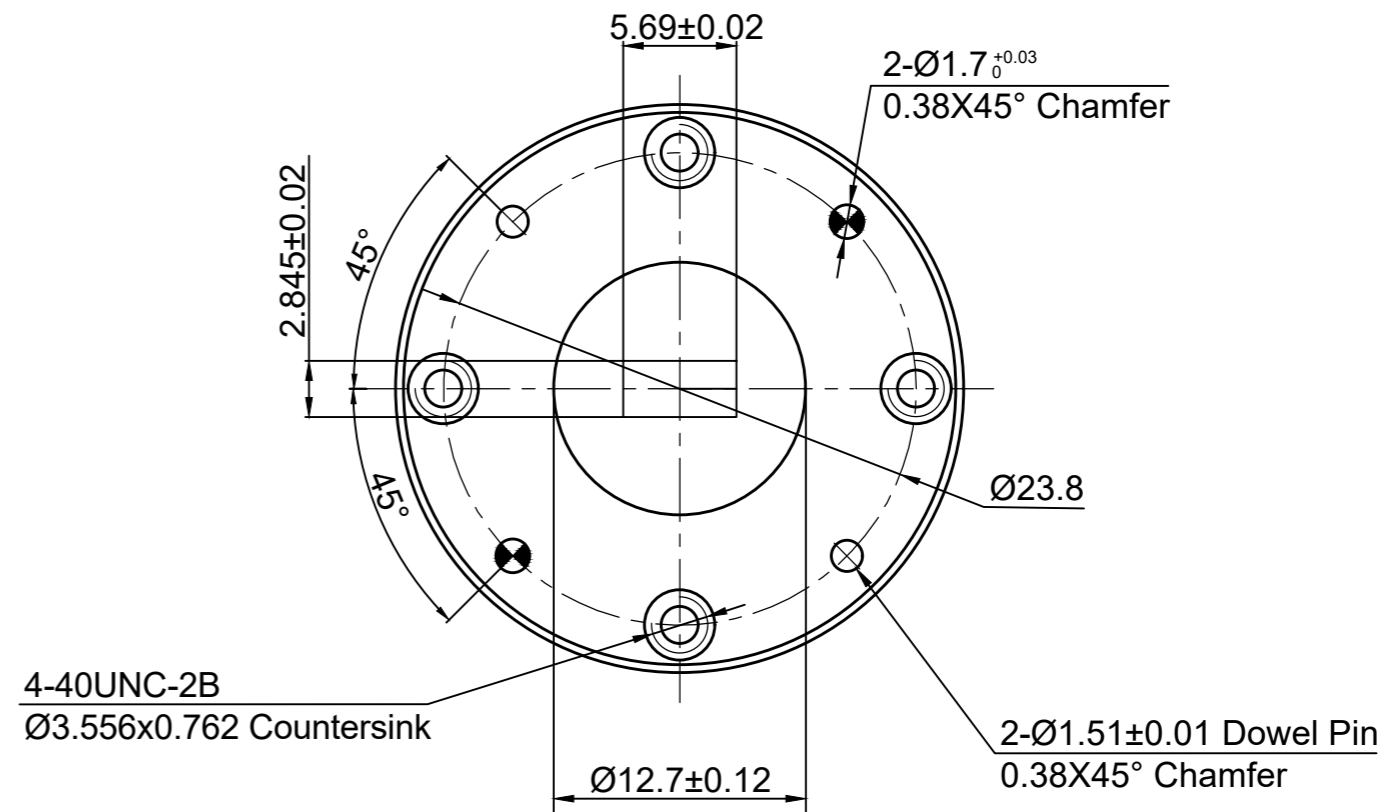
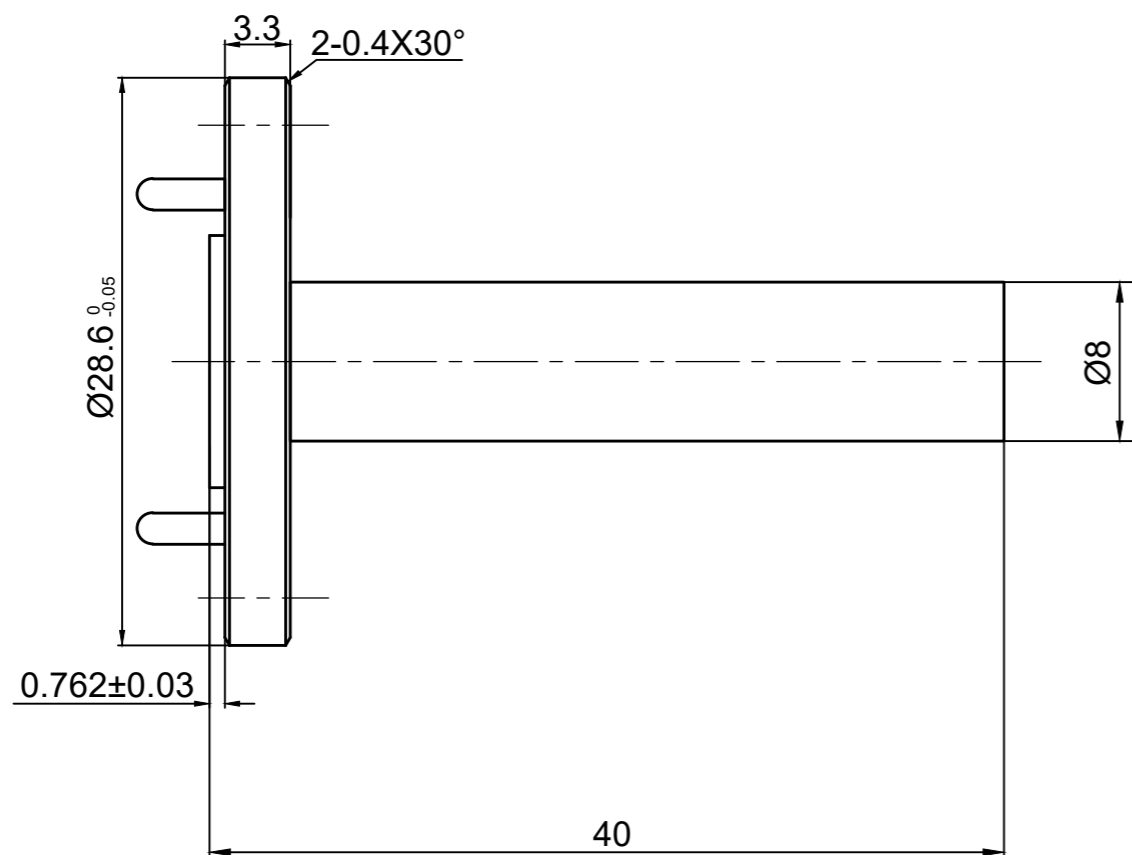
Revisions			
Rev	Description	Date	Approved:
A	Initial Release	2026.4.9	A. M

**ELECTRICAL PERFORMANCE**

- 1. Frequency Range: 32.9-50 GHz
- 2. VSWR: 1.05 max.
- 3. WG Type: WR22
- 4. Power: 0.5W

**MATERIAL**

- 1. Body: Brass, Gold Plated



NOTES:

- 1. ALL SPECIFICATIONS ARE SUBJECT TO CHANGE WITHOUT NOTICE AT ANY TIME
- 2. CUSTOMER OUTLINE DRAWING FOR REFERENCE ONLY

Drawn:	W. Y 2026.4.9
Checked:	T. L 2026.4.9
Approved:	A. M 2026.4.9
Unless Otherwise Specified Dimensions are in Millimeters, Dimensions in [ ] are in Inches for Customer Reference Only. Unless Otherwise Specified Tolerance are: .XX ±0.13 [.005"] .X ±0.20 [.008"] X ±0.50 [.019"] .X° ±1° X° ±2°	

Title:	WR22 Load Freq 32.9-50 GHz
Part No:	DWL22T



View:	
Size:	A3
Scale:	2:1
Sheet:	1/1
Rev:	A

6

5

4

3

2

1