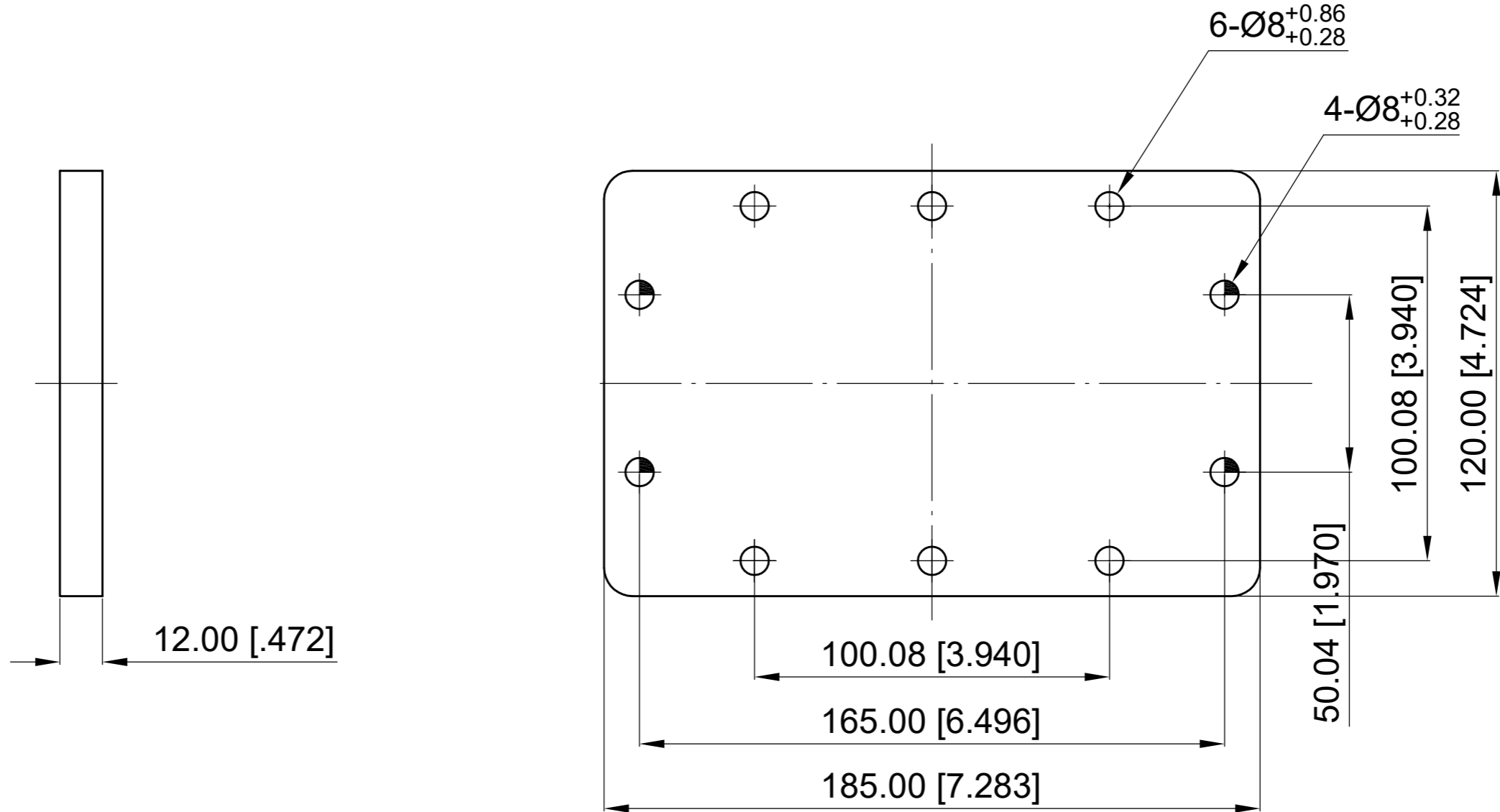


6 5 4 3 2 1

| Revisions |                 |          |           |
|-----------|-----------------|----------|-----------|
| Rev       | Description     | Date     | Approved: |
| A         | Initial Release | 2021.7.7 | A. M      |

**ELECTRICAL PERFORMANCE**  
 Frequency Range: 1.45-2.2 GHz  
 VSWR: 60 Min.

**MATERIAL**  
 Body: Alumium



NOTES:  
 1. ALL SPECIFICATIONS ARE SUBJECT TO CHANGE WITHOUT NOTICE AT ANY TIME  
 2. CUSTOMER OUTLINE DRAWING FOR REFERENCE ONLY

|                                                                                                                                                                                                                                                |               |
|------------------------------------------------------------------------------------------------------------------------------------------------------------------------------------------------------------------------------------------------|---------------|
| Drawn:                                                                                                                                                                                                                                         | W. Y 2021.7.7 |
| Checked:                                                                                                                                                                                                                                       | T. L 2021.7.7 |
| Approved:                                                                                                                                                                                                                                      | A. M 2021.7.7 |
| Unless Otherwise Specified Dimensions are in Millimeters,<br>Dimensions in [ ] are in Inches for Customer Reference Only.<br>Unless Otherwise Specified Tolerance are:<br>.XX ±0.13 [.005"] .X ±0.20 [.008"] X ±0.50 [.019"]<br>.X° ±1° X° ±2° |               |

|          |                                           |
|----------|-------------------------------------------|
| Title:   | WR510 (UDR18) Short,<br>Freq 1.45-2.2 GHz |
| Part No: | DWST510D1                                 |



|        |       |
|--------|-------|
| View:  |       |
| Size:  | A3    |
| Scale: | 1:1.5 |
| Sheet: | 1/1   |
| Rev:   | A     |

6 5 4 3 2 1