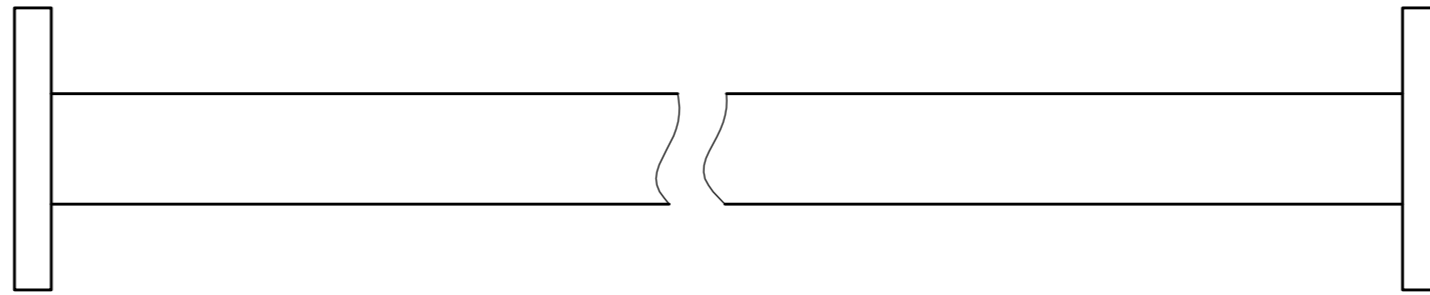


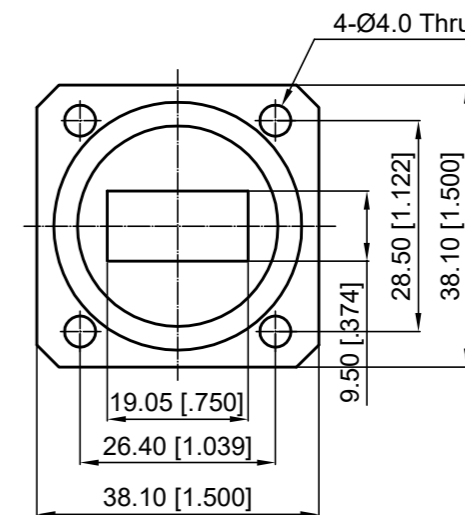
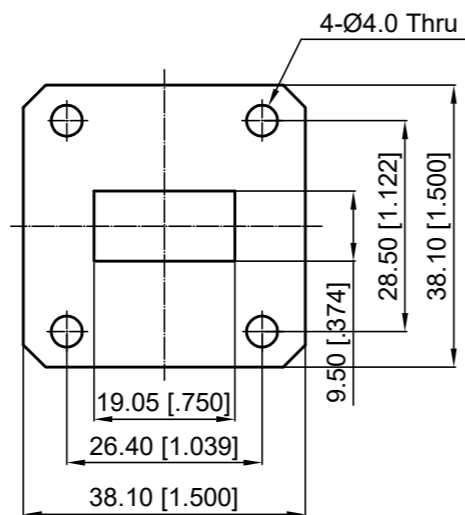
Revisions			
Rev	Description	Date	Approved:
A	Initial Release	2020.8.13	A. M

ELECTRICAL PERFORMANCE
 Frequency Range: 10-15 GHz
 VSWR: 1.05 max.
 Material: Aluminum



UBR120

PBR120



NOTES:

1. ALL SPECIFICATIONS ARE SUBJECT TO CHANGE WITHOUT NOTICE AT ANY TIME
2. CUSTOMER OUTLINE DRAWING FOR REFERENCE ONLY

Drawn:	W. Y 2020.8.13
Checked:	T. L 2020.8.13
Approved:	A. M 2020.8.13
Unless Otherwise Specified Dimensions are in Millimeters, Dimensions in [] are in Inches for Customer Reference Only. Unless Otherwise Specified Tolerance are: .XX ±0.13 [0.005"] .X ±0.20 [0.008"] X ±0.50 [0.019"] .X° ±1° X° ±2°	

Title:	Straight Waveguide, WR75, PBR to UBR, Length 1m
Part No:	



View:	
Size:	A3
Scale:	1:3
Sheet:	1/1
Rev:	A