

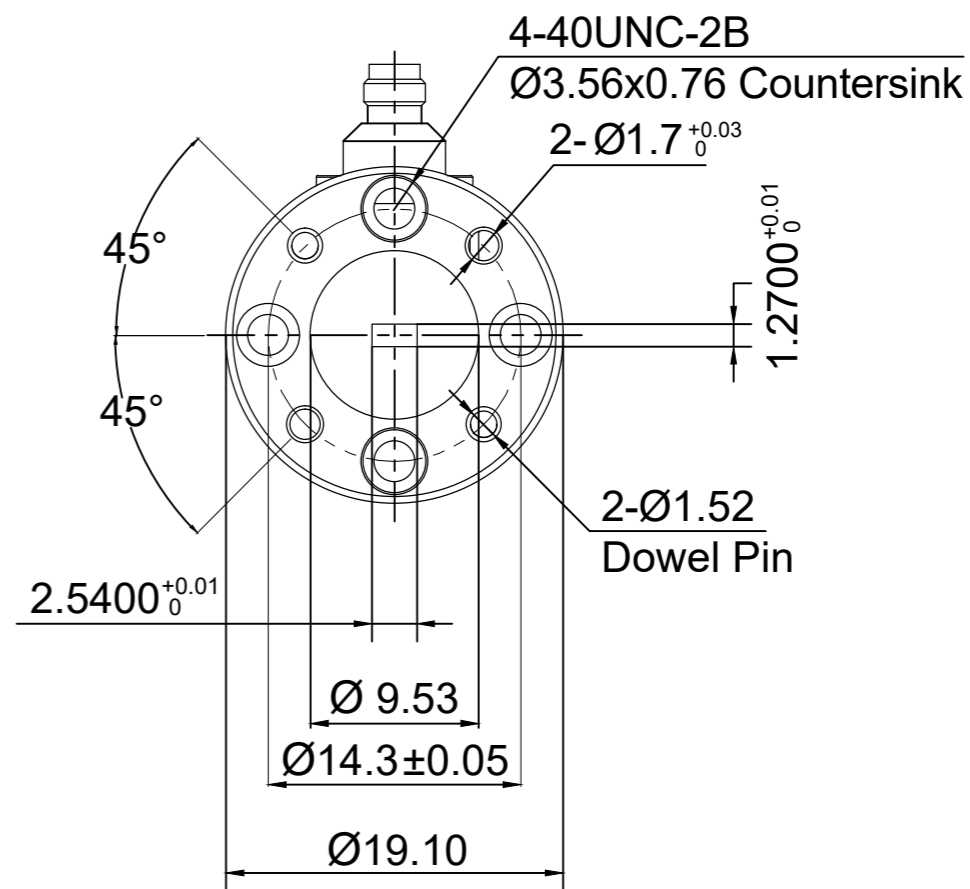
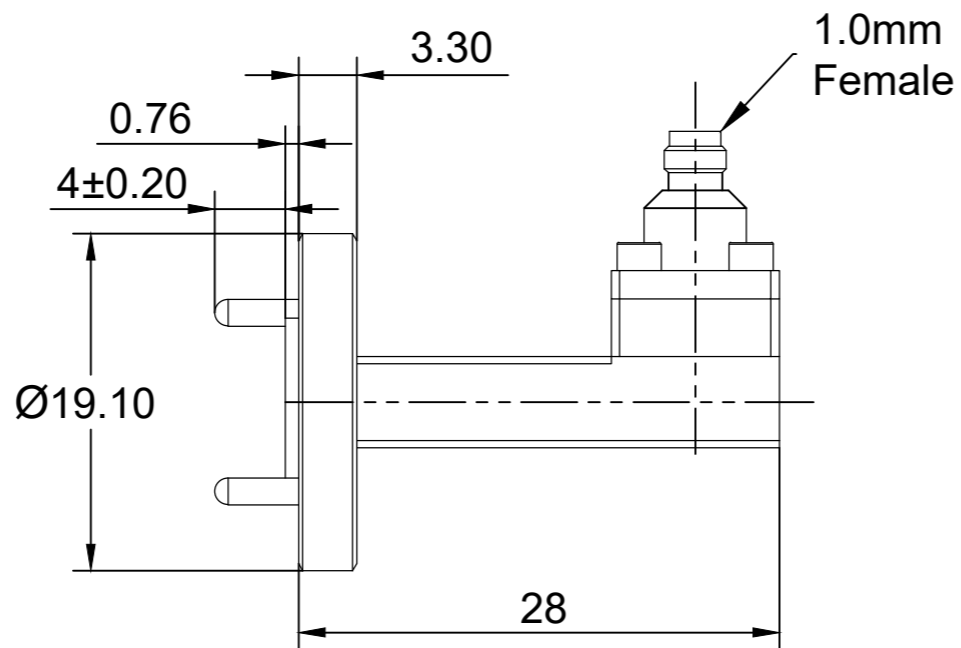
Revisions			
Rev	Description	Date	Approved:
A	Initial Release	2026.4.9	A. M

ELECTRICAL PERFORMANCE

Impedance: 50 Ohm
 Frequency Range: 75-110 GHz
 VSWR: 1.35 Max.
 Insertion Loss: 1.0 dB Max.
 Waveguide Type: WR10

MATERIAL

Boday: Brass, Gold Plated



NOTES:

1. ALL SPECIFICATIONS ARE SUBJECT TO CHANGE WITHOUT NOTICE AT ANY TIME
2. CUSTOMER OUTLINE DRAWING FOR REFERENCE ONLY

Drawn:	W. Y 2026.4.9
Checked:	T. L 2026.4.9
Approved:	A. M 2026.4.9

Unless Otherwise Specified Dimensions are in Millimeters,
 Dimensions in [] are in Inches for Customer Reference Only.
 Unless Otherwise Specified Tolerance are:
 .XX ±0.13 [.005"] .X ±0.20 [.008"] X ±0.50 [.019"]
 .X° ±1° X° ±2°

Title:
**WR10 Right Angle to 1.0mm
 Female Adapter, 75-110 GHz**

Part No:
DWCA12-10FL



View:	
Size:	A3
Scale:	2:1
Sheet:	1/1
Rev:	A