

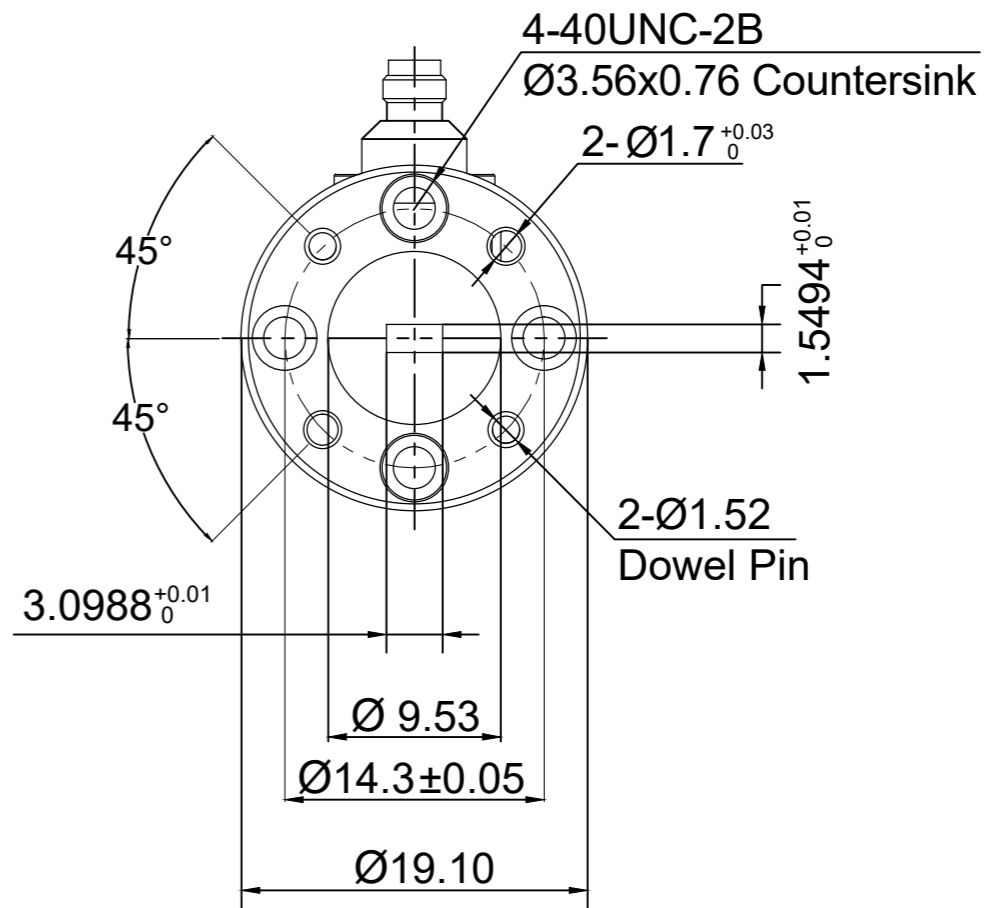
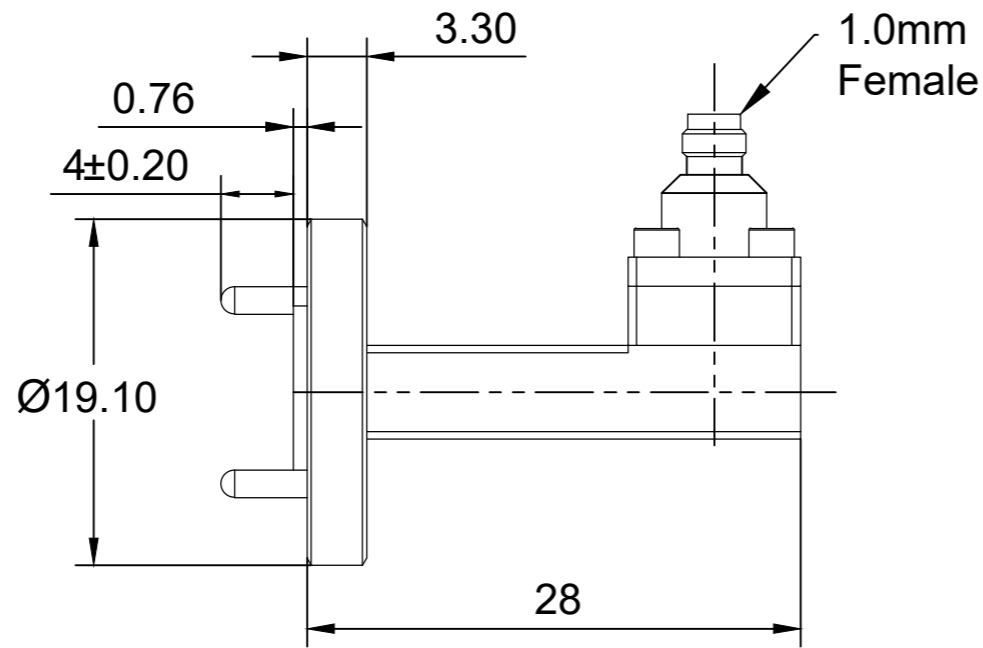
Revisions			
Rev	Description	Date	Approved:
A	Initial Release	2026.4.9	A. M

### ELECTRICAL PERFORMANCE

Impedance: 50 Ohm  
 Frequency Range: 60.5-75.8 GHz  
 VSWR: 1.50 Max.  
 Insertion Loss: 1.0 dB Max.  
 Waveguide Type: WR12

### MATERIAL

Body: Brass, Gold Plated



#### NOTES:

1. ALL SPECIFICATIONS ARE SUBJECT TO CHANGE WITHOUT NOTICE AT ANY TIME
2. CUSTOMER OUTLINE DRAWING FOR REFERENCE ONLY

Drawn:	W. Y 2026.4.9
Checked:	T. L 2026.4.9
Approved:	A. M 2026.4.9
Unless Otherwise Specified Dimensions are in Millimeters, Dimensions in [ ] are in Inches for Customer Reference Only. Unless Otherwise Specified Tolerance are: .XX ±0.13 [.005"] .X ±0.20 [.008"] X ±0.50 [.019"] .X° ±1° X° ±2°	

Title:	WR12 Right Angle to 1.0mm Female Adapter, 60.5-75.8 GHz
Part No:	DWCA12-10FL



View:	
Size:	A3
Scale:	2:1
Sheet:	1/1
Rev:	A