

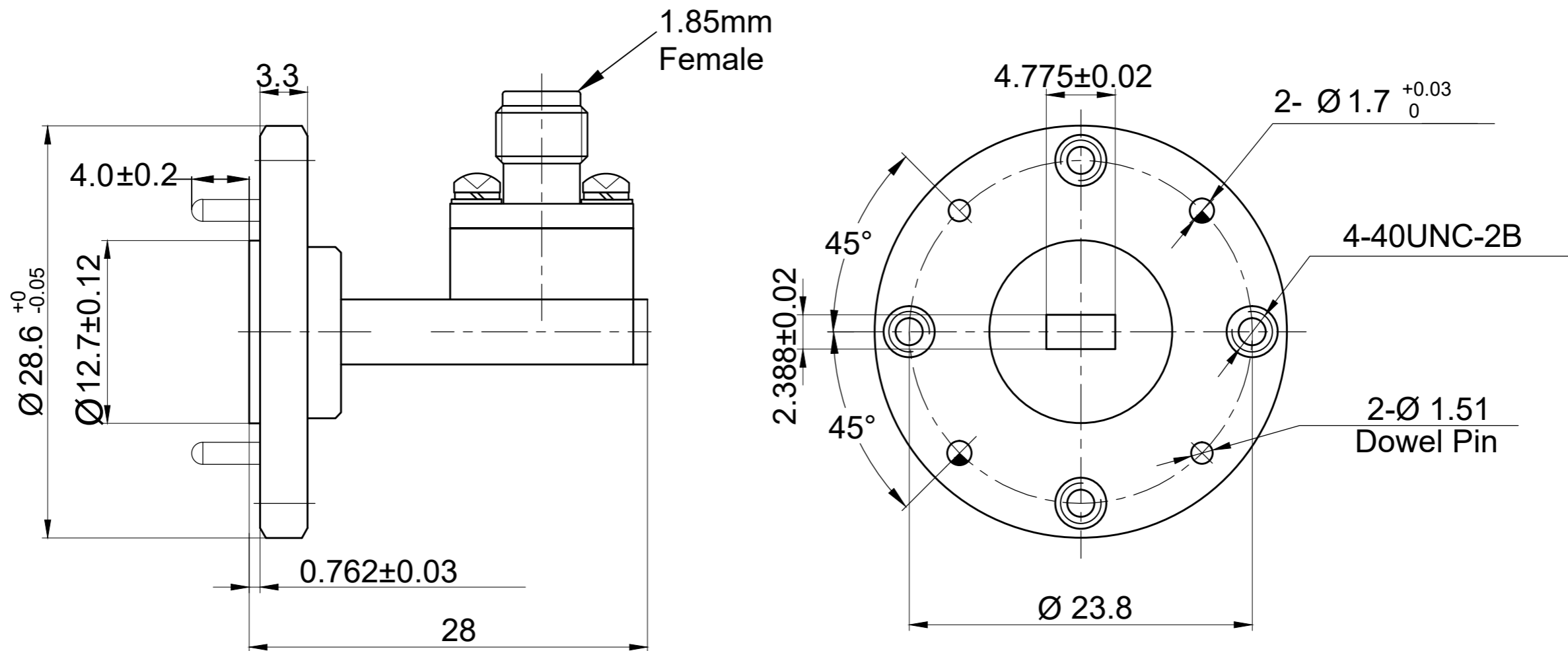
ELECTRICAL PERFORMANCE

Impedance: 50 Ohm
Frequency Range: 39.2-59.6 GHz
VSWR: 1.30 Max.
Insertion Loss: 0.35 dB Max.
Waveguide Type: WR19

MATERIAL

Body: Brass

Revisions			
Rev	Description	Date	Approved:
A	Initial Release	2026.4.9	A. M



NOTES:

1. ALL SPECIFICATIONS ARE SUBJECT TO CHANGE WITHOUT NOTICE AT ANY TIME
2. CUSTOMER OUTLINE DRAWING FOR REFERENCE ONLY

Drawn:	W. Y 2026.4.9
Checked:	T. L 2026.4.9
Approved:	A. M 2026.4.9
Unless Otherwise Specified Dimensions are in Millimeters, Dimensions in [] are in Inches for Customer Reference Only. Unless Otherwise Specified Tolerance are: .XX ±0.13 [.005"] .X ±0.20 [.008"] X ±0.50 [.019"] .X° ±1° X° ±2°	

Title:	WR19 Right Angle to 1.85mm Female Adapter, 39.2-59.6 GHz
Part No:	DWCA19-185FL



View:	
Size:	A3
Scale:	2:1
Sheet:	1/1
Rev:	A